



Lindab Doorline™

Lindab Industrial Doors
Make your life easier





Open the door to perfect function and finish

There are far greater demands on an industrial door today than there used to be. It must comply with official regulations and insurance requirements without compromising on function or architectural features.

Lindab's range of sectioned overhead doors meets all possible safety and function requirements in factories, farms, car showrooms, sports centers and other large buildings. They're tailor-made to meet your individual requirements, and there's a wide selection of elements, colours and extra options to choose from.

Lindab's industrial doors in a nutshell

- tailor-made
- top insulation capacity
- Patent Finger Protection system
- highly resistant surface
- attractive design features
- smart opening functions
- fulfils the new EU-standards

Heavy-duty, but lightweight

We supply insulated doors and panorama doors in many different designs. The surface is made of sturdy, but lightweight aluminium or steel with a tough polyester coating. Windows can be delivered in strong thermo-acrylic.

Top insulation capacity

Our LDI door is made of insulated sections with an extruded polystyrene core. The inbuilt strength and sealing technology used on this door enable it to withstand everything from drafts to the strongest of winds. The core is water repellent, which makes it frost-proof.

Panoramic views

The LDP door provides panoramic views. It also allows plenty of light to stream into a building – a real plus for production staff in factories or visitors in exhibition halls. It's made of extruded aluminium profiles, and you can choose from several different window types or closed insulated sections.

Lindab's LDC door cleverly incorporates the features of the LDI and LDP models.

A perfect facade

Our range of industrial doors ensures that any facade you design will be faultless in terms of both function and appearance. If you need to have separate doors for people to walk through, we can supply them. We'll also supply the side and overhead panels to match the overhead door or fixed side and overhead panels to make existing door apertures smaller.



6

7



7

8





SONDERBORG

74485960

DEL-PIN

DEL-PIN

15L

VOLVO

74485960

SR 93019

Better safe than sorry

Make life safer for employees. Use industrial doors with built-in protection against injury. Lindab has developed safety methods that comply with authority regulations. And that save everyone concerned a lot of unnecessary bother.

Unique safety feature

The Finger Protection system, patented by Lindab, ensures complete safety and it complies with new EU regulations. It prevents users from getting their fingers caught between the profiles.

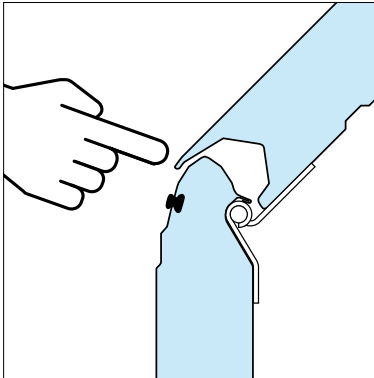
Safety on both sides

Lindab doors are fitted with an extra antidrop device, which stops the doors from suddenly lowering. Safety has also been given top priority on the inside of the doors. Getting fingers stuck between rails and rollers is no longer an issue, as protective covers are in place.

Reliable electronics

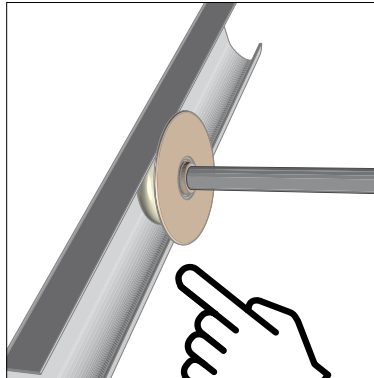
A door equipped with Lindab's electronic opening device won't close if there's something in the way. It will automatically open again as soon as any blockage is registered. If there is a power cut, all you need to do is pull the emergency opening handle to disconnect the motor. The door can then be opened manually.

Different solutions for different purposes



Finger Protection

Lindab's patented Finger Protection system eliminates the risk of getting caught between the panels.



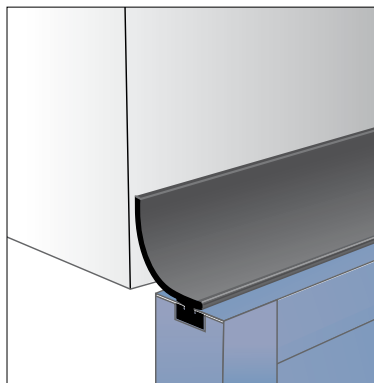
Covered rails and rollers

A special cover protects fingers getting caught between the rails and the rollers.



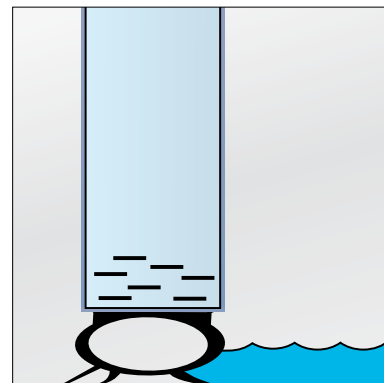
Smart opening functions

Our standard version of electrically operated doors comes complete with a push-button control box. We also offer an electronic remote control system if you need to open the door directly from inside a fork-lift truck or van.



Fully sealed

Different door seals minimize heat loss. They also prevent drafts, which are a major concern for people whose workplace is just inside the door.



Damp resistant

The extruded polystyrene core not only has great heat-insulating properties. It's also damp resistant, which makes it frost-proof.

A variety of colours

Chalk White P010 RAL: 9010 Steel-stucco	White P9010 RAL: 9010 Alu-stucco	Light Grey P022 RAL: 7044 Steel-stucco	Grey White P9002 RAL: 9002 Alu-stucco
Goosewing Grey P010 RAL: 7038 Steel-stucco	Dark Grey P087 RAL: 7011 Steel-stucco	Rapeseed Yellow P980 RAL: 1021 Steel-stucco	Yellow P1023 RAL: 1023 Alu-stucco
Forest Green P874 RAL: 6003 Steel-stucco	Green P6003 RAL: 6003 Alu-stucco	Fire Red P412 RAL: 3000 Steel-stucco	Red P3000 RAL: 3000 Alu-stucco
Tile Red P742 RAL: 8004 Steel-stucco	Brown P434 RAL: 8017 Steel-stucco	Brown P8017 RAL: 8017 Alu-stucco	Bright Blue P561 RAL: 5019 Steel-stucco
Blue P5010 RAL: 5010 Alu-stucco	Steel metallic P045 RAL: 9006 Steel-stucco	Alu original Alu-stucco	

The standard version of Lindab's industrial door panels comes in steel or aluminium stucco coated with tough polyester. There are several colours to choose from. All doors can be combined with Lindab's facade sheets in matching colours.

The program includes:

- LDI doors -- insulated and strong
- LDP doors – panoramic view
- LDC door – combination of insulation and panorama
- Complete facade solutions with Lindab doors
- Finger Protection (Lindab patented)
- Up-stop-down electrical operation
- Remote control as extra equipment

Want to know more about Lindab Industrial Doors?

www.lindab.com/buildingtechnology



Lindab Profile is a business area within the Lindab Group that develops, manufactures and markets efficient, economical and aesthetic steel and sheet-metal solutions for the building industry.

We offer everything from complete building systems to individual building components for all types of housing, as well as commercial and industrial buildings.

Lindab Profile is represented in over 25 countries throughout Europe. Our head office is in Förslöv, in the south of Sweden.



Lindab Profile
SE-269 82 Båstad
Phone +46 (0)431 850 00
www.lindab.com