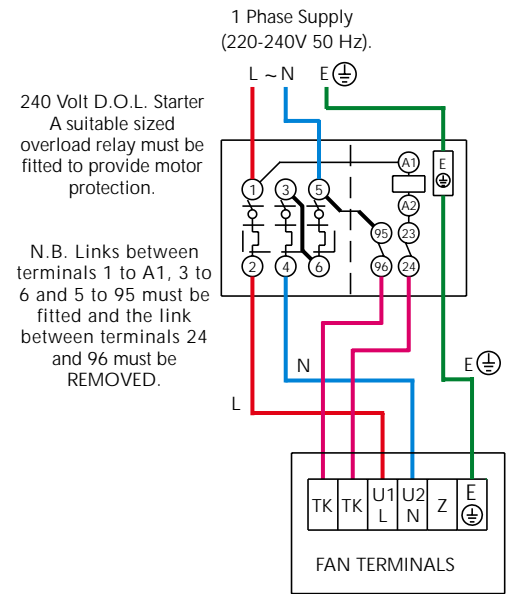


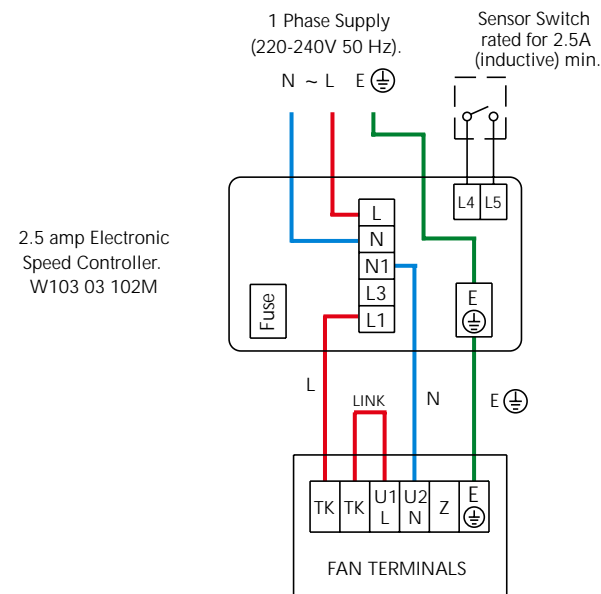
VENT-AXIA QUADRA SQUARE MIXED FLOW FANS WIRING DIAGRAMS

**SINGLE PHASE FAN
CONNECTED TO A D.O.L. STARTER**



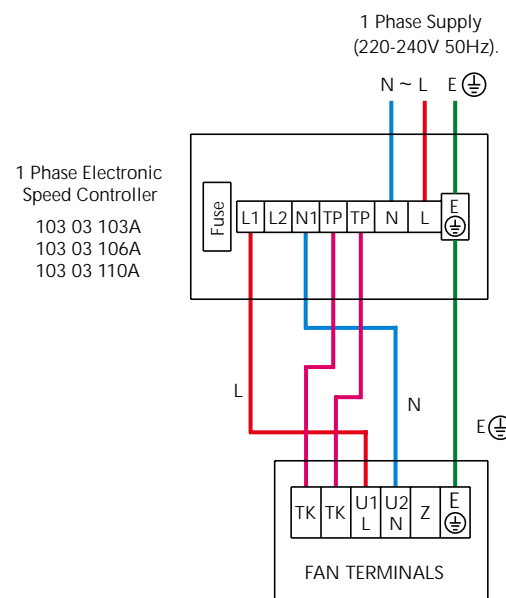
MFQ 350/4/1 MFQ 350/6/1
MFQ 400/4/1 MFQ 400/6/1
MFQ 450/4/1 MFQ 450/6/1
MFQ 500/4/1 MFQ 500/6/1

**SINGLE PHASE FAN
CONNECTED TO A 2.5 AMP ELECTRONIC
SPEED CONTROLLER**



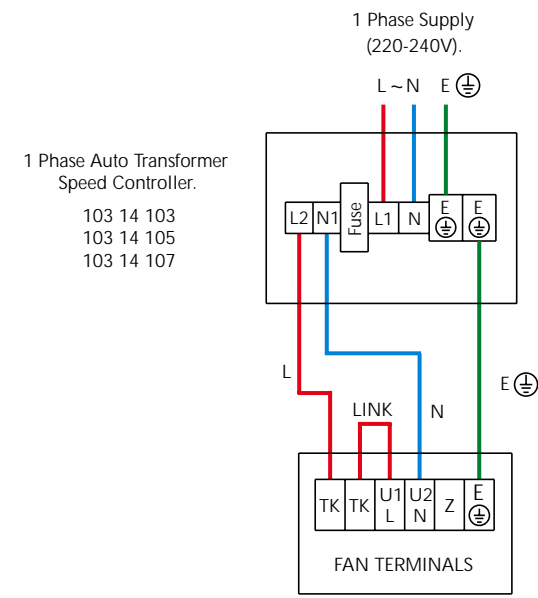
MFQ 350/4/1 MFQ 350/6/1
MFQ 400/4/1 MFQ 400/6/1
MFQ 450/4/1 MFQ 450/6/1
MFQ 500/4/1 MFQ 500/6/1

**SINGLE PHASE FAN
CONNECTED TO A 3.0, 6.0 OR 10.0 AMP
ELECTRONIC SPEED CONTROLLER**



MFQ 350/4/1 MFQ 350/6/1
MFQ 400/4/1 MFQ 400/6/1
MFQ 450/4/1 MFQ 450/6/1
MFQ 500/4/1 MFQ 500/6/1

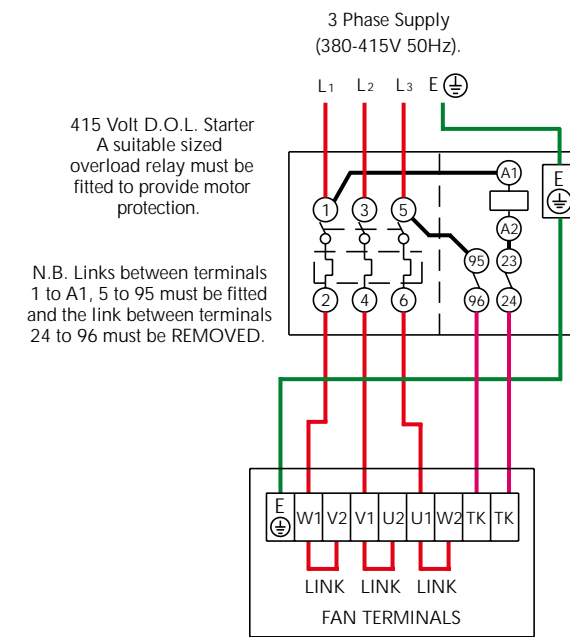
**SINGLE PHASE FAN
CONNECTED TO A 3.0, 5.0 OR 7.5 AMP
AUTO TRANSFORMER SPEED CONTROLLER**



MFQ 350/4/1 MFQ 350/6/1
MFQ 400/4/1 MFQ 400/6/1
MFQ 450/4/1 MFQ 450/6/1
MFQ 500/4/1 MFQ 500/6/1

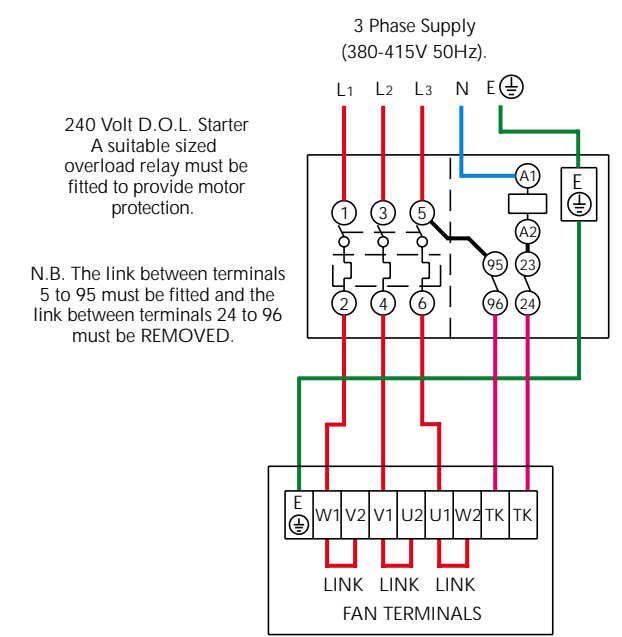
VENT-AXIA QUADRA SQUARE MIXED FLOW FANS WIRING DIAGRAMS

**THREE PHASE FAN
CONNECTED TO A 415V COIL D.O.L. STARTER**



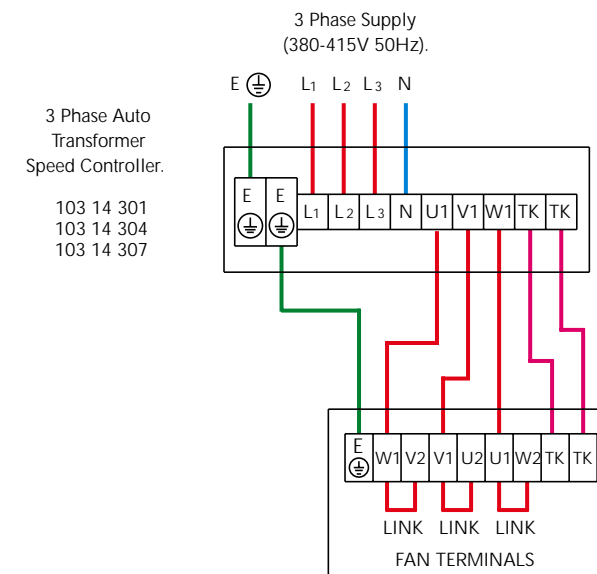
MFQ 400/4/3
MFQ 450/4/3
MFQ 500/4/3

**THREE PHASE FAN
CONNECTED TO A 240V COIL D.O.L. STARTER**



MFQ 400/4/3
MFQ 450/4/3
MFQ 500/4/3

**THREE PHASE FAN
CONNECTED TO A 1.4, 4.0 OR 7.0 AMP AUTO
TRANSFORMER SPEED CONTROLLER**

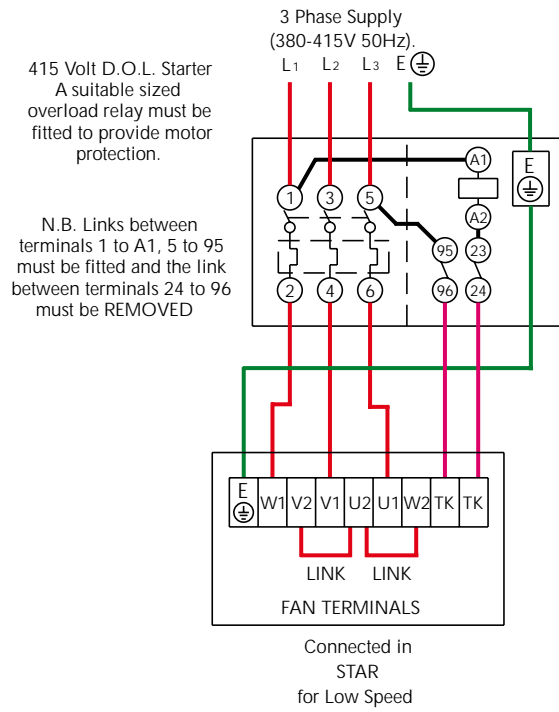


MFQ 400/4/3
MFQ 450/4/3
MFQ 500/4/3

VENT-AXIA QUADRA SQUARE MIXED FLOW FANS WIRING DIAGRAMS

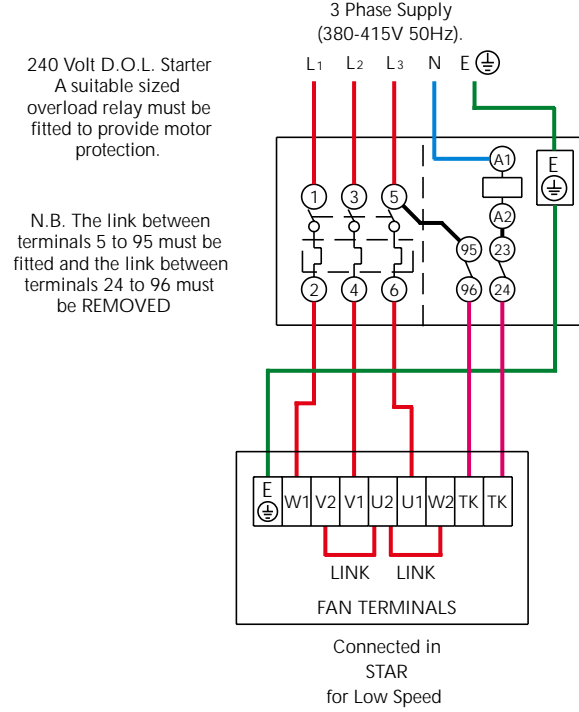
QUADRA SQUARE MIXED FLOW FANS WIRING DIAGRAMS

THREE PHASE FAN CONNECTED TO A 415V COIL D.O.L. STARTER



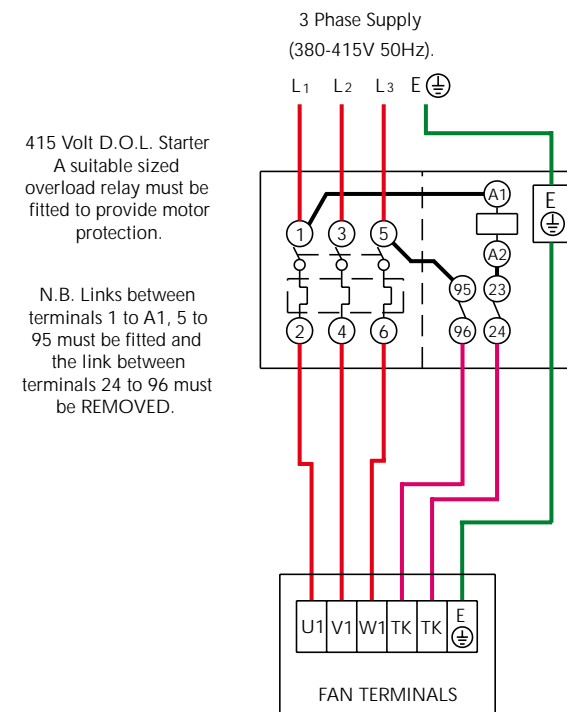
MFQ 400/6/3
MFQ 450/6/3
MFQ 500/6/3

THREE PHASE FAN CONNECTED TO A 240V COIL D.O.L. STARTER



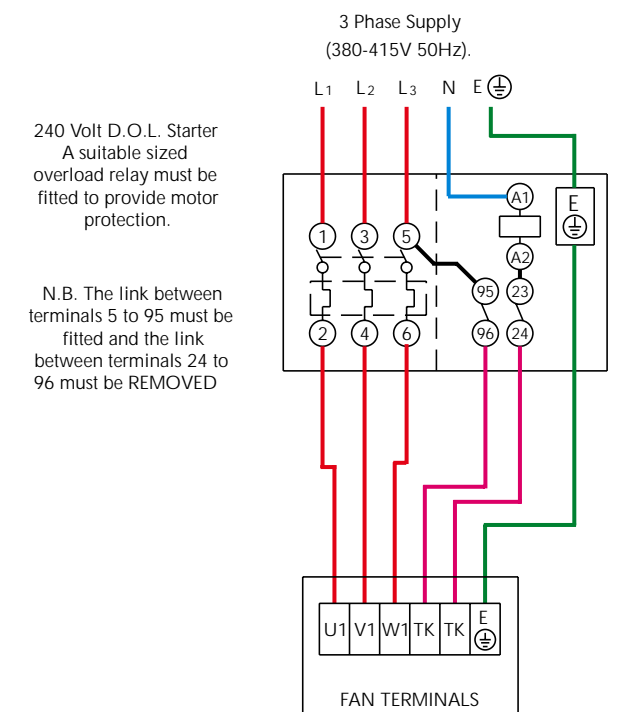
MFQ 400/6/3
MFQ 450/6/3
MFQ 500/6/3

THREE PHASE FAN CONNECTED TO A 415V COIL D.O.L. STARTER



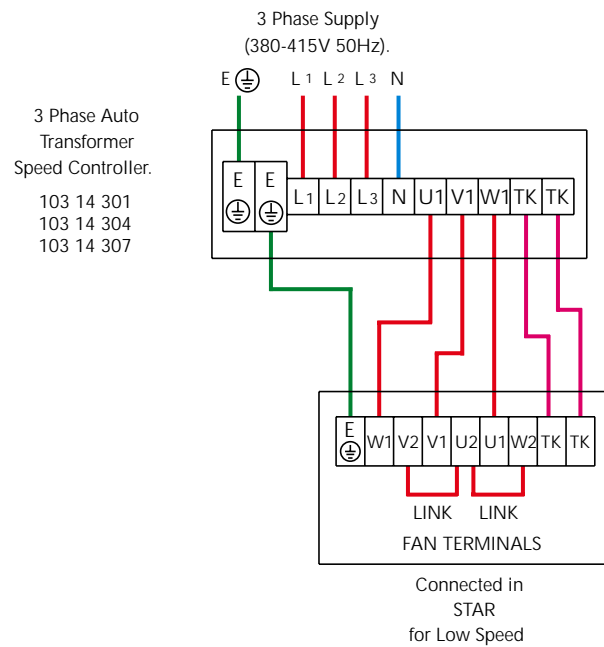
MFQ 560/4/3 MFQ 560/6/3

THREE PHASE FAN CONNECTED TO A 240V COIL D.O.L. STARTER



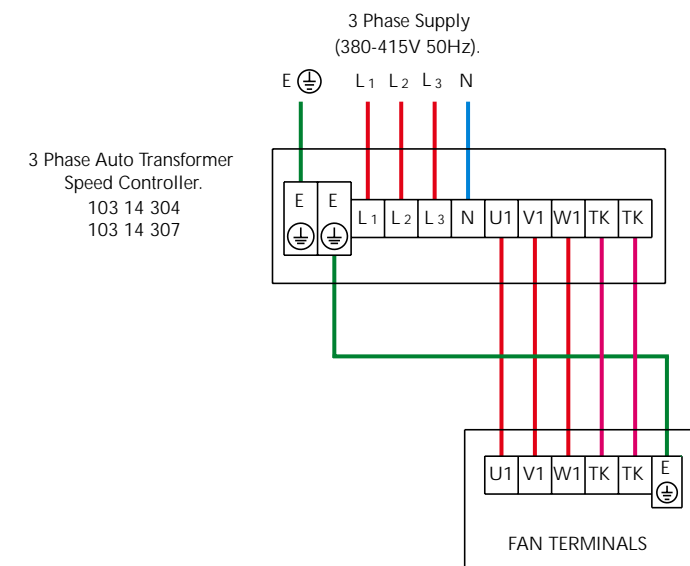
MFQ 560/4/3 MFQ 560/6/3

THREE PHASE FAN CONNECTED TO A 1.4, 4.0 OR 7.0 AMP AUTO TRANSFORMER SPEED CONTROLLER



MFQ 400/6/3
MFQ 450/6/3
MFQ 500/6/3

THREE PHASE FAN CONNECTED TO A 4.0 OR 7.0 AMP AUTO TRANSFORMER SPEED CONTROLLER



MFQ 560/4/3 MFQ 560/6/3