

Slimpak® (SLP)

In-Line Centrifugal Duct Fans

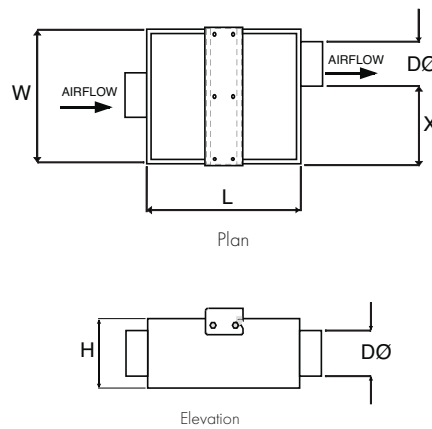


from Vent-Axia

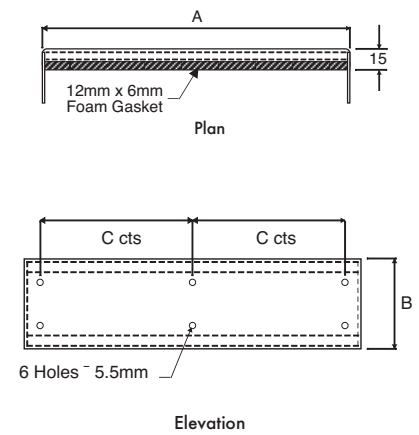
Features & Benefits

- Ultra slim and compact
- Acoustically treated "O" class rated
- 'Eco Flow' computer modelled design
- Latest external rotor motor
- Fully speed controllable
- Matching ancillaries

Dimensions (mm)



Mounting bracket (mm)



Fan Stock Ref	L	W	H	DØ	X	Weight kg
SLP100	360	306	160	100	178	8
SLP125	360	306	160	125	165	8
SLP150	360	306	180	150	140	9
SLP200	415	360	285	200	140	13
SLP250	415	360	285	250	90	15
SLP315	450	400	350	315	65	17

Fan Stock Ref	A	B	C
SLP100	306	80	138
SLP125	306	80	138
SLP150	306	80	138
SLP200	360	130	165
SLP250	360	130	165
SLP315	400	180	184.5

Performance Guide

Fan Stock Ref	RPM	Phase	Duty m³/s @ Pa													Amps		
			0	25	50	100	150	200	250	300	350	400	450	500	550	kW	FLC	SC
SLP100	2450	1	0.075	0.071	0.068	0.059	0.051	0.041	0.029	0.016	-	-	-	-	-	0.058	0.26	1.04
SLP125	2450	1	0.094	0.090	0.086	0.076	0.065	0.053	0.040	0.025	-	-	-	-	-	0.058	0.26	1.04
SLP150	2450	1	0.121	0.116	0.112	0.098	0.085	0.070	0.054	0.038	0.016	-	-	-	-	0.058	0.26	1.04
SLP200	2700	1	0.200	0.193	0.188	0.175	0.156	0.138	0.118	0.098	0.073	-	-	-	-	0.12	0.48	1.92
SLP250	2400	1	0.289	0.280	0.271	0.251	0.227	0.201	0.175	0.146	0.117	0.088	0.053	-	-	0.21	0.90	3.60
SLP315	2550	1	0.380	0.342	0.370	0.350	0.328	0.309	0.290	0.271	0.248	0.220	0.185	0.141	0.079	0.27	1.15	4.60

FLC = Full Load Current SC = Starting Current



Models & Accessories

Fan Stock Ref	Speed Controller				Overload Stock Ref	Electric Heaters Stock Ref
	Electronic Stock Ref	Auto Transfor. Stock Ref	Starter Stock Ref			
SLP100	SP5001	SPM5020	444744	444699	-	
SLP125	SP5001	SPM5020	444744	444699	QAH125	
SLP150	SP5001	SPM5020	444744	444699	QAH150	
SLP200	SP5001	SPM5020	444744	444699	QAH200	
SLP250	SP5001	SPM5020	444744	444700	QAH250	
SLP315	SP5001	SPM5020	444744	444702	QAH315	

Fan Stock Ref	In-line Attenuators					Wall Terminal Stock Ref
	300mm Stock Ref	600mm Stock Ref	900mm Stock Ref	1200mm Stock Ref		
SLP100	SLSI100/1	SLSI100/2	SLSD100/1	SLSD100/2	SA100/280	
SLP125	SLSI125/1	SLSI125/2	SLSD125/1	SLSD125/2	SA125/280	
SLP150	SLSI150/1	SLSI150/2	SLSD150/1	SLSD150/2	SA150/280	
SLP200	SLSI200/1	SLSI200/2	SLSD200/1	SLSD200/2	SA200/280	
SLP250	SLSI250/1	SLSI250/2	SLSD250/1	SLSD250/2	SA250/280	
SLP315	SLSI315/1	SLSI315/2	SLSD315/1	SLSD315/2	SA315/280	

Fan Stock Ref	Roof Terminal Stock Ref	Louvre	Flexible	Panel Filters Stock Ref	Spare Panel	Back Draught
		Shutter Stock Ref	Connections Stock Ref		Filters Stock Ref	Shutters Stock Ref
SLP100	WRC100	LS250	FLX100	SLPF100	FILTERSSLP100	BDS100
SLP125	WB160	LS250	FLX125	SLPF125	-	BDS125
SLP150	WB160	LS315	FLX150	SLPF150	FILTERSSLP150	BDS150
SLP200	WB200	LS315	FLX200	SLPF200	FILTERSSLP200	BDS200
SLP250	WB200	LS315	FLX250	SLPF250	FILTERSSLP250	BDS250
SLP315	RCZ300	LS400	FLX315	SLPF315	FILTERSSLP315	BDS315