



Lindab Construline™

## Lindab Partition Wall Profiles

A solution that does its part  
better than most





# Proof your building against unpleasant surprises

Steel is a building material that won't let you down. It's damp resistant and won't be affected by mold. It doesn't shrink or swell. Whatever weather conditions it is exposed to during the construction process, it still retains its original strength and shape. And even though it's so lightweight, it has a surprising loadbearing capacity both axially and laterally.

Lindab's partition wall profiles in hot-dip galvanized and rustproof steel are just as perfect for single-family houses as for multistorey buildings. They minimize noise transmission and, when used in conjunction with fireproof materials, they fulfill the most stringent fire safety regulations.

## **Lindab's partition wall profiles in a nutshell**

- impervious to effects of mold
- hold their original shape
- easy to assemble and mount
- lightweight
- high load-bearing capacity
- excellent sound insulation
- enhanced fire safety



# Silence is golden

Today, building partition walls with steel profiles is a matter of course, due to cost efficiency and simple assembly. But there are other good reasons for choosing Lindab's partition wall profiles – they have excellent sound insulation and fire resistance qualities.

## Noise reduction guaranteed

Lindab offers a complete range of profiles that meet official sound-proofing requirements. To comply with even higher demands for sound insulation, we have developed the RdB acoustic stud. It's a first-rate noise reducer – this is now our new standard stud.

## Enhanced fire safety

Fire rating is never a consideration when steel is used as a building material. With plaster for boards and mineral wool for insulation, Lindab's partition wall profiles ensure effective fire protection and comply with the most stringent fire safety regulations.















# Take the easy way out

Lindab's partition wall profiles are easy to handle. Assembly and mounting are quick, as they don't warp or need extension joints. Neither do high partition wall constructions pose the slightest problem. Lindab manufactures profiles in any lengths you need.

## **Assembly is easy**

Our partition wall profiles are easy to assemble and mount. All the parts are delivered to the building site already marked up and cut into the required lengths. There are specially designed fasteners for every application imaginable.

## **High or load-bearing walls**

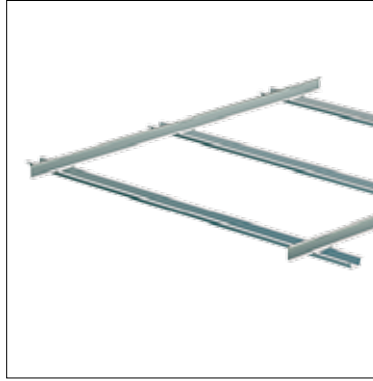
Lindab's casing and reinforcement studs easily meet the requirements of the trade and the authorities for high, narrow walls. You can build walls up to a height of 14 meters with our components. The profiles easily withstand loads all the way from the floor structure up to the roof truss.

## Different solutions for different purposes



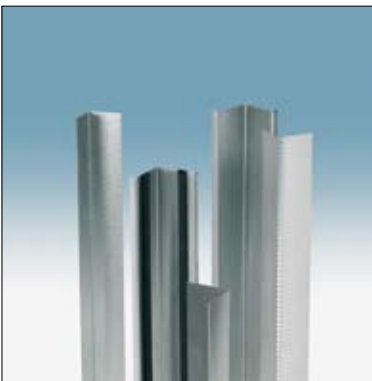
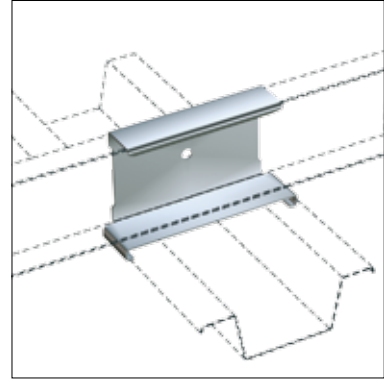
### Soundproof walls

Lindab has an extensive range of studs and runners for a good acoustic climate. The walls are soundproof and meet the highest demands.



### Suspended ceilings

Lindab offers a system for suspended ceilings. It's quick and easy to assemble with a clever click-on function in the connecting parts.



### Plaster profiles

We have a wide range of different plaster profiles and sheet metal. If our standard range doesn't meet your demands, we can design profiles specially for you.



### Reinforcement profiles

The reinforcement studs and runners can be used for high walls, large openings, load bearing walls and truss systems.

## A full range of profiles



**The range includes:**

- soundproof studs and runners
- a wide range of plaster profiles
- reinforcement studs for load-bearing walls and high walls
- fire insulation profiles
- suspended ceiling profiles
- tools
- special studs and runners to meet the customers' needs

**Want to know more about  
Lindab Partition Wall Profiles?**

[www.lindab.com/buildingtechnology](http://www.lindab.com/buildingtechnology)





Lindab Profile is a business area within the Lindab Group that develops, manufactures and markets efficient, economical and aesthetic steel and sheet-metal solutions for the building industry.

We offer everything from complete building systems to individual building components for all types of housing, as well as commercial and industrial buildings.

Lindab Profile is represented in over 25 countries throughout Europe. Our head office is in Förslöv, in the south of Sweden.



**Lindab Profile**

SE-269 82 Båstad  
Phone +46 (0)431 850 00  
[www.lindab.com](http://www.lindab.com)