



Lindab Construline™

Lindab Partition Wall Profiles Technical Information



Technical Facts

Studs

RdB

Type	Width mm	Height mm	Min/Max Length mm	Mass kg/100m
RE*-45	45	37/34	1000/8000	49
RdB-50	50	37/34	1000/8000	51
RdB-67	67	37/34	1000/8000	58
RdB-70	70	37/34	1000/8000	59
RdB-75	75	37/34	1000/8000	61
RdB-95	95	37/34	1000/8000	69
RdB-100	100	37/34	1000/8000	70
RdB-120	120	37/34	1000/8000	78
RdB-145	145	37/34	1000/8000	88
RdB-160	160	37/34	1000/8000	93

* RE, solid without RdB-pattern!



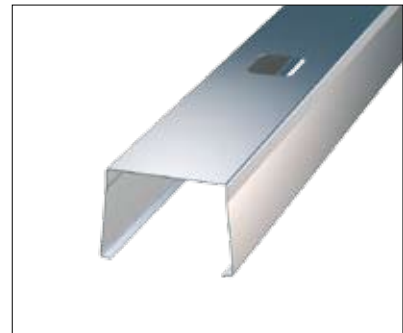
RdB7

Type	Thickness mm	Width mm	Height mm	Min/Max Length kg/100m	Mass
RdB7-70	0.7	70	37/34	1000/8000	83
RdB7-75	0.7	75	37/34	1000/8000	86
RdB7-95	0.7	95	37/34	1000/8000	97
RdB7-100	0.7	100	37/34	1000/8000	99
RdB7-120	0.7	120	37/34	1000/8000	119



RdBF Acoustic stud

Type	Width mm	Height mm	Min/Max Length mm	Mass kg/100m
RBF-70	70	48	1000/6000	69
RBF-95	95	48	1000/6000	78
RBF-120	120	48	1000/6000	88



Technical Facts

Studs

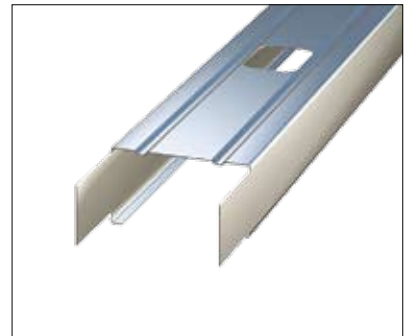
RT Stud with sealing strips

Type	Width mm	Height mm	Min/Max Length mm	Mass kg/100m
RT-70	70	37/34	1000/8000	95
RT-95	95	37/34	1000/8000	105
RT-120	120	37/34	1000/8000	114



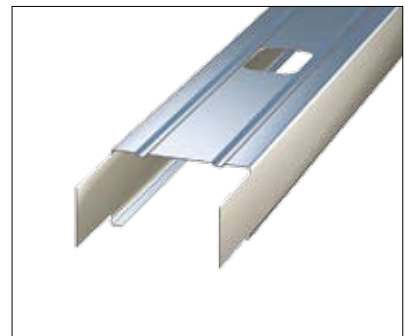
RU1 Stud with one cutout

Type	Width mm	Height mm	Min/Max Length mm	Mass kg/100m
RU1-45	45	37/34	1000/8000	49
RU1-70	70	37/34	1000/8000	59



RU2 Stud with two cutouts

Type	Width mm	Height mm	Min/Max Length mm	Mass kg/100m
RU2-45	45	37/34	1000/8000	49
RU2-70	70	37/34	1000/8000	59



Technical Facts

Runners

SK Runner with 30 mm flange

Type	Width mm	Height mm	Min/Max Length mm	Mass kg/100m
SK-25	25	30	1000/4200	32
SK-45	45	30	1000/4200	40
SK-70	70	30	1000/4200	49
SK-95	95	30	1000/4200	59



SK43 Runner with 43 mm flange

Type	Width mm	Height mm	Min/Max Length mm	Mass kg/100m
SK43-45	45	43	1000/4200	49
SK43-50	50	43	1000/4200	51
SK43-67	67	43	1000/4200	58
SK43-70	70	43	1000/4200	59
SK43-75	75	43	1000/4200	61
SK43-95	95	43	1000/4200	69
SK43-100	100	43	1000/4200	70



SK55 Runner with 55 mm flange

Type	Width mm	Height mm	Min/Max Length mm	Mass kg/100m
SK55-45	45	55	1000/4200	59
SK55-67	67	55	1000/4200	69
SK55-70	70	55	1000/4200	69
SK55-75	75	55	1000/4200	70
SK55-95	95	55	1000/4200	78
SK55-100	100	55	1000/4200	83
SK55-120	120	55	1000/4200	88
SK55-145	145	55	1000/4200	103
SK55-160	160	55	1000/4200	103



Technical Facts

Runners

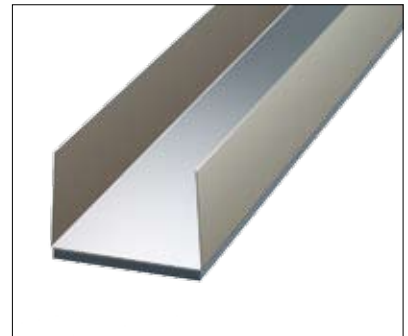
SKP Runner with 4 mm polythene

Type	Width mm	Height mm	Min/Max Length mm	Mass kg/100m
SKP-45	45	30	1000/4200	41
SKP-70	70	30	1000/4200	50
SKP-95	95	30	1000/4200	60



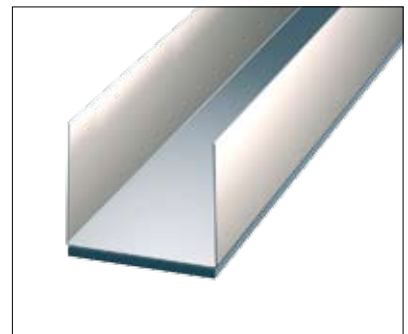
SKP43 Runner with 4 mm polythene

Type	Width mm	Height mm	Min/Max Length mm	Mass kg/100m
SKP43-45	45	43	1000/4200	50
SKP43-50	50	43	1000/4200	52
SKP43-67	67	43	1000/4200	59
SKP43-70	70	43	1000/4200	60
SKP43-75	75	43	1000/4200	62
SKP43-95	95	43	1000/4200	70
SKP43-100	100	43	1000/4200	71



SKP55 Runner with 4 mm polythene

Type	Width mm	Height mm	Min/Max Length mm	Mass kg/100m
SKP55-45	45	55	1000/4200	60
SKP55-67	67	55	1000/4200	70
SKP55-70	70	55	1000/4200	70
SKP55-75	75	55	1000/4200	71
SKP55-95	95	55	1000/4200	79
SKP55-100	100	55	1000/4200	84
SKP55-120	120	55	1000/4200	89
SKP55-145	145	55	1000/4200	104
SKP55-160	160	55	1000/4200	104



Technical Facts

Runners

SKT43 Runner with sealing strips

Type	Width mm	Height mm	Min/Max Length mm	Mass kg/100m
SKT43-45	45	43	1000/4200	65
SKT43-50	50	43	1000/4200	72
SKT43-67	67	43	1000/4200	79
SKT43-70	70	43	1000/4200	75
SKT43-75	75	43	1000/4200	82
SKT43-95	95	43	1000/4200	85
SKT43-100	100	43	1000/4200	86



SKT55 Runner with sealing strips

Type	Width mm	Height mm	Min/Max Length mm	Mass kg/100m
SKT55-45	45	55	1000/4200	75
SKT55-67	67	55	1000/4200	85
SKT55-70	70	55	1000/4200	85
SKT55-75	75	55	1000/4200	86
SKT55-95	95	55	1000/4200	94
SKT55-100	100	55	1000/4200	99
SKT55-120	120	55	1000/4200	104
SKT55-145	145	55	1000/4200	119
SKT55-160	160	55	1000/4200	119



SKU Runner with cutout

Type	Width mm	Height mm	Min/Max Length mm	Mass kg/100m
SKU-45	45	30	1000/3000	38
SKU-70	70	30	1000/3000	48
SKU-95	95	30	1000/3000	57
SKU-120	120	30	1000/3000	67

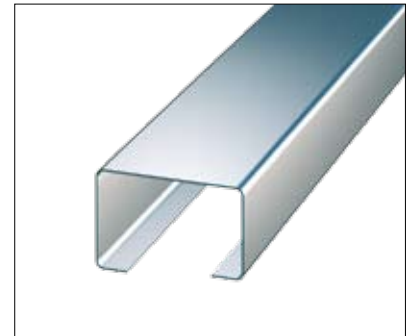


Technical Facts

Reinforcement Studs & Runners

KR Stud 1.0 mm

Type	Thickness mm	Width mm	Height mm	Min/Max Length mm	Mass kg/100m
KR-45	1.0	45	45/41	1000/8000	100
KR-70	1.0	70	45/41	1000/8000	121
KR-75	1.0	75	45/41	1000/4000	124
KR-95	1.0	95	45/41	1000/8000	139
KR-100	1.0	100	45/41	1000/10500	143
KR-120	1.0	120	45/41	1000/12500	164
KR-150	1.0	150	45/41	1000/12500	186
KR-200	1.0	200	45/41	1000/12500	211



KSK Runner for KR-studs

Type	Thickness mm	Width mm	Height mm	Min/Max Length mm	Mass kg/100m
KSK-45	1.0	45	50	1000/4000	100
KSK-70	1.0	70	50	1000/10500	121
KSK-75	1.0	75	50	1000/4000	124
KSK-95	1.0	95	50	1000/10500	139
KSK-100	1.0	100	50	1000/10500	143
KSK-120	1.0	120	50	1000/10500	158
KSK-150	1.0	150	50	1000/10500	196
KSK-200	1.0	200	50	1000/10500	243



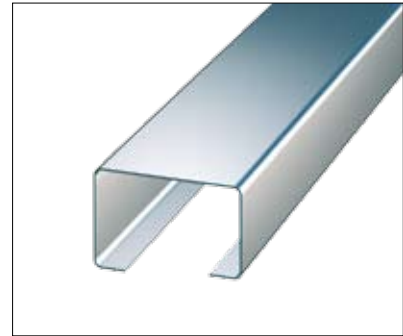
Technical Facts

Reinforcement Studs & Runners

FR Stud 1.5 mm

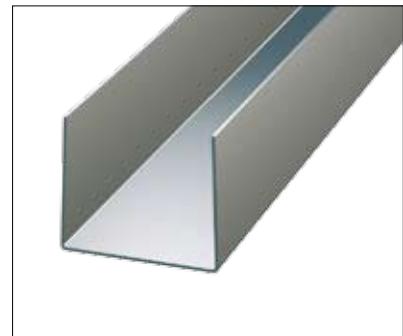
Type	Thickness mm	Width mm	Height mm	Min/Max Length mm	Mass kg/100m
FR-45	1.5	45	45/41	1000/8000	164
FR-50	1.5	50	45/41	1000/4000	153
FR-70	1.5	70	45/41	1000/8000	199
FR-75	1.5	75	45/41	1000/4000	185
FR-95	1.5	95	45/41	1000/8000	229
FR-100	1.5	100	45/41	1000/10500	222
FR-120	1.5	120	45/41	1000/12500	260
FR-145	1.5	145	45/41	1000/12500	300
FR-150	1.5	150	45/41	1000/12500	300
FR-160	1.5	160	45/41	1000/12500	306
FR-200	1.5	200	45/41	1000/12500	336

Please refer to pages 000 and 000 for wall heights and bearing capacity.



FSK60 Runner for FR-studs

Type	Thickness mm	Width mm	Height mm	Min/Max Length mm	Mass kg/100m
FSK60-45	1.5	45	60	1000/4000	194
FSK60-50	1.5	50	60	1000/4000	201
FSK60-70	1.5	70	60	1000/10500	219
FSK60-75	1.5	75	60	1000/4000	224
FSK60-95	1.5	95	60	1000/10500	250
FSK60-100	1.5	100	60	1000/10500	256
FSK60-120	1.5	120	60	1000/10500	280
FSK60-145	1.5	145	60	1000/10500	310
FSK60-150	1.5	150	60	1000/10500	316
FSK60-160	1.5	160	60	1000/4000	324
FSK60-200	1.5	200	60	1000/10500	371

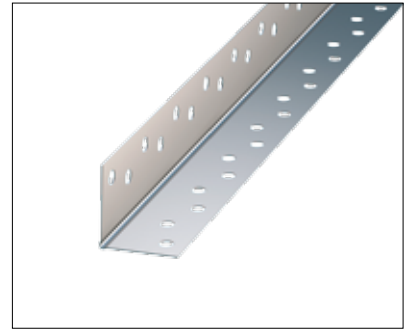


Technical Facts

Plaster board profiles

HS Corner bead

Type	Width mm	Height mm	Min/Max Length mm	Mass kg/100m
HS	29	29	1000/3000	22



J Edge strip galvanized

Type	Width mm	Height mm	Min/Max Length mm	Mass kg/100m
J	12.5	13.5/32	1000/3000	25



JL Edge strip painted white

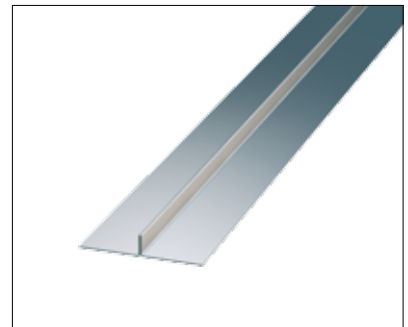
Type	Width mm	Height mm	Min/Max Length mm	Mass kg/100m
JL	12.5	13.5/32	1000/3000	25



TSKA T joint, painted

Type	Width mm	Height mm	Min/Max Length mm	Mass kg/100m
TSKA	60	10	1000/3000	38

Used for horizontal and vertical joints between plasterboards. Always painted to give better grip for the screws.



Technical Facts

Plaster board profiles

LP Angle profile

Type	Width mm	Height mm	Min/Max Length mm	Mass kg/100m
LP	50	50	1000/7000	39



KLP Angle profile 1.0 mm

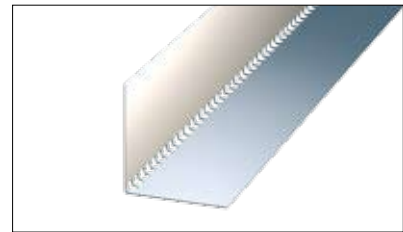
Type	Thickness mm	Width mm	Height mm	Min/Max Length mm	Mass kg/100m
KLP	1.0	50	50	1000/4000	78



LPP Angle profile with centre perforation

Type	Width mm	Height mm	Min/Max Length mm	Mass kg/100m
LPP	50	50	1000/7000	43

VBA profiled folding steel strip



HR Corner stud

Type	Width mm	Height mm	Min/Max Length mm	Mass kg/100m
HR	60	60	1000/7000	53



HRT Corner stud with sealing strips

Type	Width mm	Height mm	Min/Max Length mm	Mass kg/100m
HRT	60	60	1000/7000	63

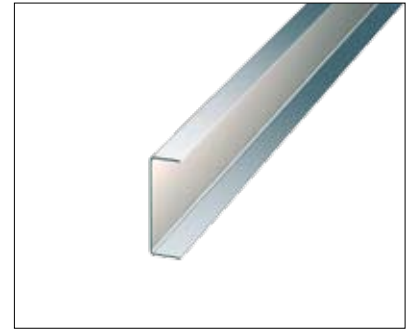


Technical Facts

Suspended Ceilings

P Primary

Type	Thickness	Width	Height	Min/Max Length	Mass
	mm	mm	mm	mm	kg/100m
P	1.0	45	15	1000/4000	51



S Secondary

Type	Width	Height	Min/Max Length	Mass
	mm	mm	mm	kg/100m
S-25	85	25	1000/8000	49
S-45	93	45	1000/8000	65



S7 Secondary 0.7 mm

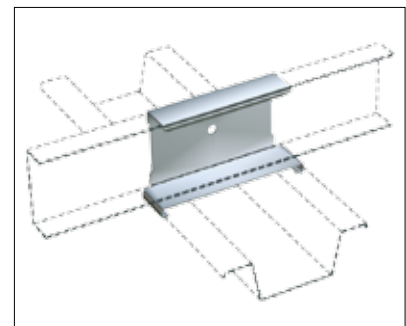
Type	Thickness	Width	Height	Min/Max Length	Mass
	mm	mm	mm	mm	kg/100m
S725	0.7	85	25	1000/8000	69
S745	0.7	93	45	1000/8000	92



PS Fittings for joining P and S 25 profiles

Type	Thickness	Width	Height	Mass
	mm	mm	mm	kg/100pcs
PS	1.0	85	50	7

When the plasterboards are installed, every fifth PS fitting must be removed and replaced by screws, to prevent a domino effect if overloaded. Max 2 plasterboards in the ceiling.



Technical Facts

Fire insulation profiles

PDP Spacer profile

Type	Width mm	Height mm	Min/Max Length mm	Mass kg/100m
PDP-25	25	25	1000/4000	43
PDP-45	45	45	1000/4000	66

Used for fire insulation of steel columns and beams. Has the same function as the PD fitting together with the LP profile.



PA Joint for fire insulation profile

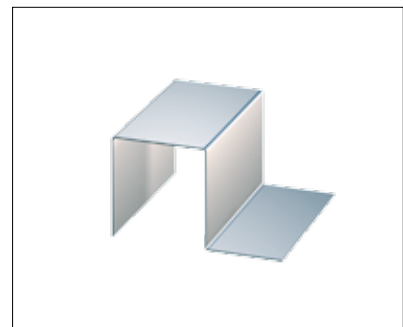
Type	Width mm	Height mm	Min/Max Length mm	Mass kg/100m
PA	25	35	1000/4000	27

Used for fire insulation of steel columns and beams.



PD Spacers

Type	Height mm	Mass kg/100pcs
PD-25	25	3
PD-45	45	5



PR Fire insulation profile

Type	Width mm	Height mm	Min/Max Length mm	Mass kg/100m
PR	25	25	1000/4000	33

Used for fire insulation of steel columns and beams.



Technical Facts

Other products

BA Steel strip

Type	Thickness mm	Width mm	Length/roll m	Weight/roll kg
BA-100		100	50	22
BA-170	0.7	170	25	18
BA-300	0.7	300	15	19



VBA Folding sheet metal strip

Type	Width mm	Length/roll m	Weight/roll kg
VBA-100	100	50	20
VBA-200	200	25	20



BAD Format panel width 100 mm

Type	Width mm	Height mm	Min/Max Length mm	Mass kg/100m
BAD-100	100	–	1000/4000	40

Used over wall openings as a support for plasterboards.



UBA Suspension strap

Type	Thickness mm	Width mm	Length/roll m	Weight/roll kg	Fmax, fire class EI15 kN	Fmax, not fire class Kn
UBA	0.9	25	25	3.6	0.5	2.0

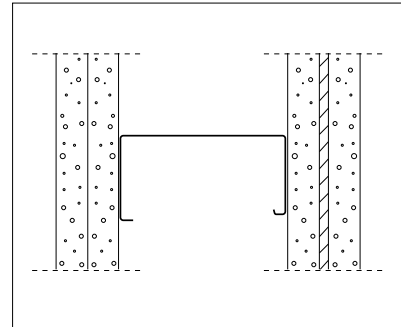


Technical Facts

Other products

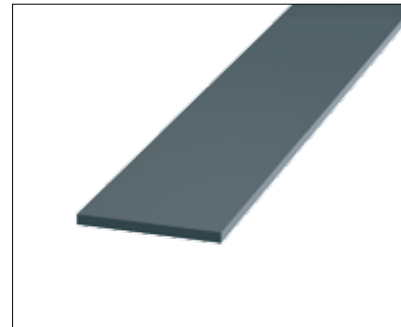
INPL Theft guard 1200 x 2400

Type	Thickness mm	Width mm	Length mm	Weight kg
INPL-900	1.0	900	2400	17
INPL-900	2.0	900	2400	34
INPL-1200	1.0	300	2400	23
INPL-1200	2.0	300	2400	46



PD4 Polythene 4 mm

Type	Thickness mm	Width mm	Length/roll m	Weight/roll kg
PD-45	45	50	50	1
PD-70	70	50	50	1
PD-95	95	50	50	1



GT EPDM rubber seal strip

Type	Thickness mm	Width mm	Length/roll m	Weight/roll kg
GT-45	45	50	50	2
GT-70	70	50	50	3
GT-95	95	25	25	3

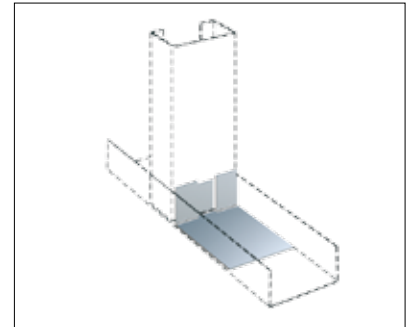


Technical Facts

Other products

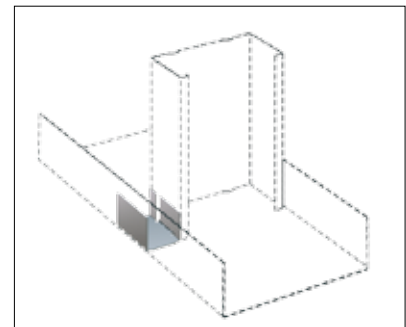
FRK Angle support for FR and KR

Type	Width mm	Weight/1000pcs kg
FRK-45	45	52
FRK-70	70	88
FRK-95	95	118
FRK-120	120	147



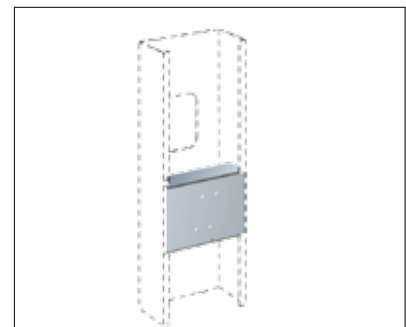
VK Wall clamp for zig-zag framework

Type	Weight/1000pcs kg
VK	10



DK Fittings for electrical installations

Type	Width mm	Weight/1000pcs kg
DK-45	45	17
DK-70	70	26
DK-95	95	36
DK-120	120	45



Technical Facts

Tools

FIXT Fixing tool

For fitting studs to runners.
Sheet metal thickness max 0.6 mm.



PSAX Profile shear

Shear for runners and studs.
Dim 45, 70, 95 and 120 mm.
Sheet metal thickness max 0.7 mm.



FÄVE Fixing tool

For fixing corner beads.
The tool forces flaps on the profile into the plasterboard.





Lindab Profile is a business area within the Lindab Group that develops, manufactures, and markets efficient, economical and aesthetic steel and sheet-metal solutions for the building industry.

We offer everything from complete building systems to individual building components for all types of housing, as well as commercial and industrial buildings.

Lindab Profile is represented in over 25 countries throughout Europe. Our head office is in Förslöv, in the south of Sweden.



Lindab Profile
SE-269 82 Båstad
Phone +46 (0)431 850 00
www.lindab.com