

Circular straight silencer with pod

SLGPU 100



Description

SLGPU 100 is a circular straight silencer with pod.

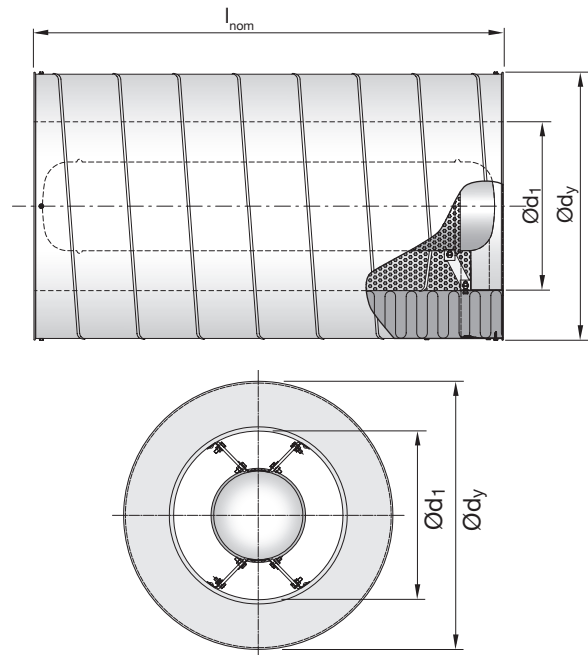
Insulation thickness 100 mm.

Attenuation material is mineral wool.
Material galvanized steel.

Special materials and sizes, please contact to Lindab sales.

Tested according to ISO 7235 standard.

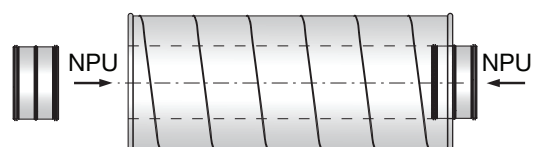
Dimensions and sound data



Ød _{1nom} mm	l _{nom} mm	Attenuation [dB] for centre frequency [Hz]								Ød _y mm	m kg
		63	125	250	500	1k	2k	4k	8k		
400	600	2	4	11	21	28	31	23	15	625	21
400	900	3	6	16	30	37	40	30	19	625	28
400	1200	3	7	19	35	37	40	33	22	625	36
500	600	1	3	8	18	25	26	20	10	735	25
500	900	2	5	14	27	33	35	24	14	735	34
500	1200	3	6	17	31	37	41	28	17	735	44
630	900	2	4	12	20	30	24	19	9	880	44
630	1200	2	5	14	23	37	30	21	12	880	56
710	900	3	5	11	21	27	23	17	11	930	55
710	1200	3	5	12	13	31	26	18	12	930	69
800	900	3	6	13	20	26	20	15	12	1030	57
800	1200	3	7	15	25	31	22	17	13	1030	74
800	1500	4	8	19	31	37	27	19	15	1030	85
900	900	2	4	10	20	21	17	13	13	1150	63
900	1200	3	5	13	25	25	19	14	13	1150	80
900	1500	3	6	16	31	30	21	16	14	1150	89
900	1800	3	7	19	36	34	23	17	14	1150	114
1000	900	2	4	11	23	20	14	12	12	1280	69
1000	1200	2	5	13	26	23	16	13	13	1280	90
1000	1500	3	6	16	31	27	18	15	15	1280	109
1000	1800	3	7	20	38	34	22	17	17	1280	126
1250	1200	2	4	12	21	17	14	11	10	1530	140
1250	1500	3	5	14	24	20	16	12	11	1530	197
1250	1800	3	7	18	30	25	18	13	11	1530	236
1250	2400	3	8	22	36	30	21	14	12	1530	249

Supplied with two loose couplings.

Loose couplings (NPU)



Order code

Product	SLGPU	aaa	bbbb	100
SLGPU				
Connection dim. Ød_{1 nom}				
400 - 1250 mm				
Length in mm (l_{nom})				
600 - 2400 mm				
Nominal Insulation thickness				
100 mm				

Example: SLGPU - 400 - 900 - 100

Circular straight silencer with pod

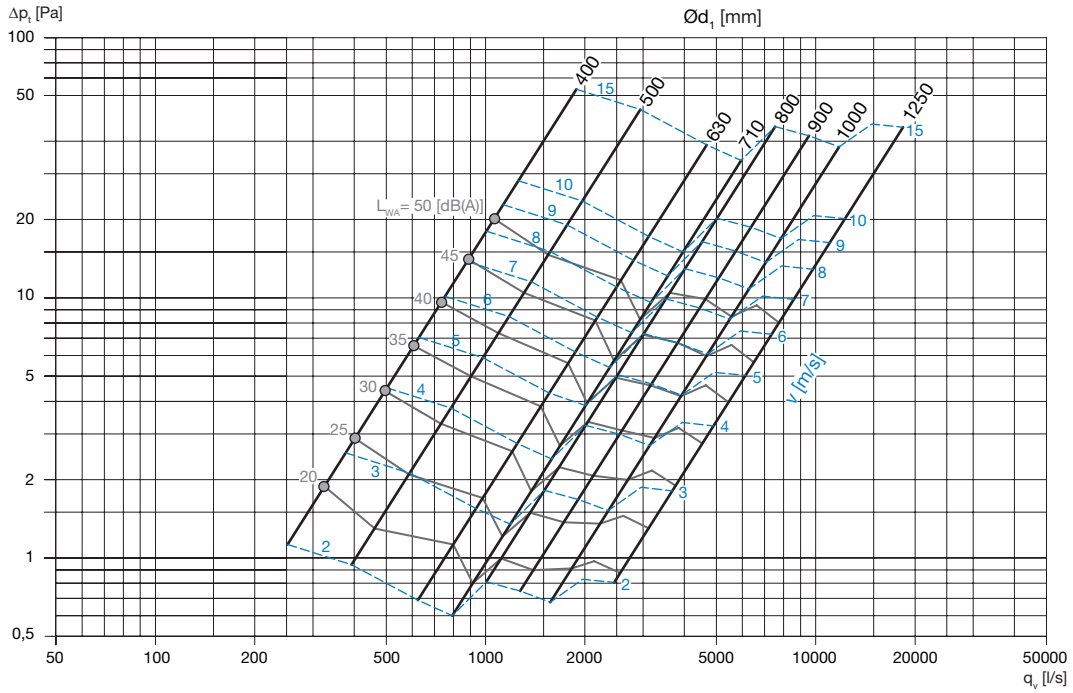
SLGPU 100

Technical data

Pressure loss Δp_t [Pa]

SLGPU 100, Insulation thickness 100 mm, short models

$\varnothing d_1$:400 - 500 mm	L = 600 mm
$\varnothing d_1$:630 - 1000 mm	L = 900 mm
$\varnothing d_1$:1250 mm	L = 1200 mm



SLGPU 100, Insulation thickness 100 mm, long models

$\varnothing d_1$:400 - 710 mm	L = 1200 mm		
$\varnothing d_1$:800 mm	L = 1500 mm		
$\varnothing d_1$:900 - 1000 mm	L = 1800 mm	$\varnothing d_1$:1250 mm	L = 2400 mm

