



Lindab Coverline™

## Lindab Sandwich Panels

Improve results, reduce costs





## Core matters – energy, noise and fire

Give your building an attractive exterior without compromising on energy-saving, sound insulation or fire safety. Lindab's sandwich panels are prefabricated or tailor-made building components that ensure high quality and low costs. A wide selection of profiles gives you the opportunity to design in complete accordance with your needs.

The panels are made of steel or aluminium sheeting with a high-insulation polyurethane core. We also provide sandwich panels with a fire-resistant core of mineral wool. You can use them in an entire wall or roof construction or in specifically exposed places together with a polyurethane core.

### Lindab's sandwich panels in a nutshell

- high-insulation core
- energy saving
- noise reducing
- fire-resistant core on request
- wide range of colours
- prefabricated
- quick assembly
- top quality and finish





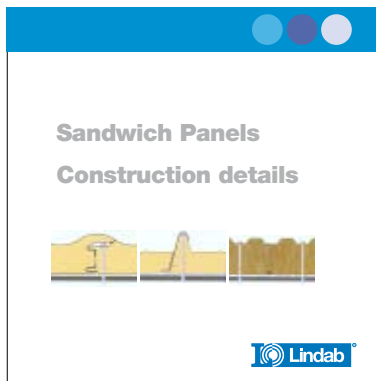


# Different solutions for different purposes



### Easy to assemble

The panels can be mounted quickly in any weather conditions. Assembly is easy with the accompanying professional tools from our service package.



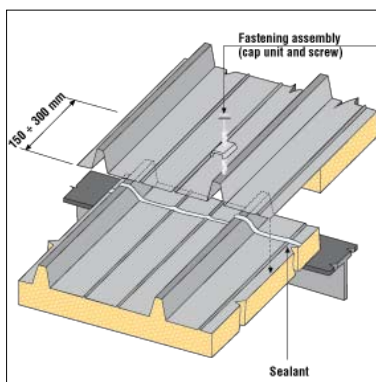
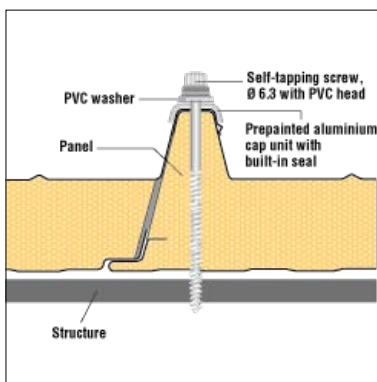
### Technical support

Lindab supplies a CD-ROM with detailed drawings in DWG and DXF format, which can be transferred to your CAD construction.



### Flashings

There's a choice of standard profiles or special profiles on request to match the overall roof or wall design.



### Joint details

Lindab has developed special joint details for optimal sealing of the building.

## A variety of panels



### The range includes:

- 7 profiles for walls
- 6 profiles for roofs
- insulation of mineral wool and polyurethane
- acoustic panels
- fireproof panels
- tools for lifting and mounting the panels
- 16 colour coatings
- custom-made panels on request

**Want to know more about  
Lindab Sandwich Panels?**

[www.lindab.com/buildingtechnology](http://www.lindab.com/buildingtechnology)



**Strong coatings in a wide range of colours**

The polyester coating in matte or gloss finish reduces the risk of colours fading. The HB polyester coating is an advanced combination of thicker layers and extra-tough grains to resist scratches and general wear and tear.

The colour chart may be subject to changes.  
Contact your local dealer for the latest news.



# A variety of colours



## **Strong coatings in a wide range of colours**

The polyester coating in matte or gloss finish reduces the risk of colours fading. The HB polyester coating is an advanced combination of thicker layers and extra-tough grains to resist scratches and general wear and tear.

The colour chart may be subject to changes.  
Contact your local dealer for the latest news.



Lindab Profile is a business area within the Lindab Group that develops, manufactures and markets efficient, economical and aesthetic steel and sheet-metal solutions for the building industry.

We offer everything from complete building systems to individual building components for all types of housing, as well as commercial and industrial buildings.

Lindab Profile is represented in over 25 countries throughout Europe. Our head office is in Förslöv, in the south of Sweden.



**Lindab Profile**

SE-269 82 Båstad  
Phone +46 (0)431 850 00  
[www.lindab.com](http://www.lindab.com)