



# LCR-1 / LCR / LCRF

Installation instruction

Installationsvejledning

Montageanvisning

Asennusohje

Montageanweisung

Istruzioni di montaggio

Instruction de montage

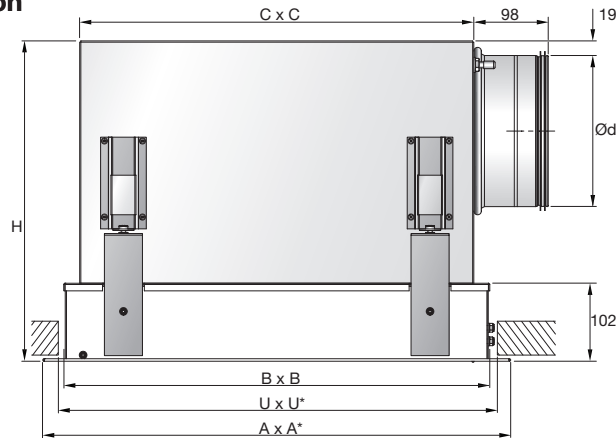


# LCR

# Clean room diffuser

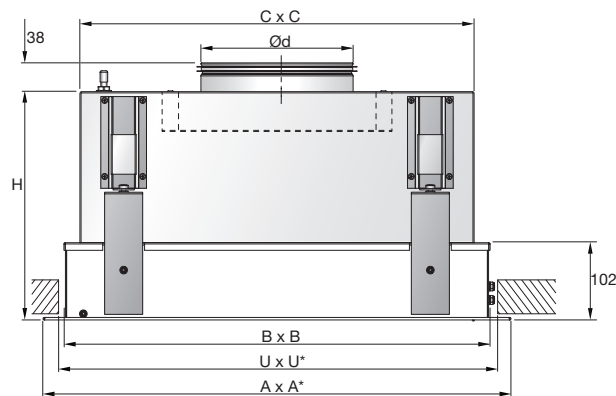
## Dimensions

### Circular side connection



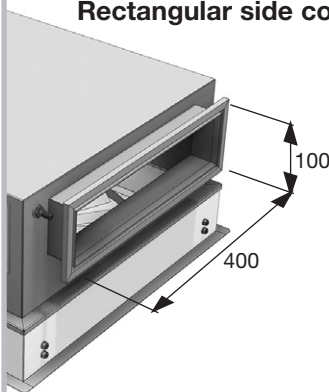
Size	Ød	H	A*	B	C	U*	m
mm	mm	mm	mm	mm	mm	mm	kg
400	125	325	415	360	318	375	5.2
600	200	420	615	560	518	575	14.6

### Circular top connection

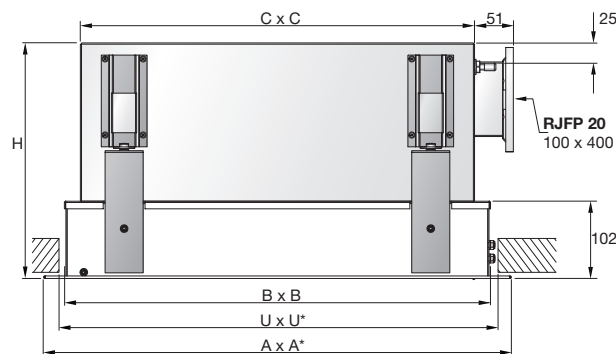


Size	Ød	H	A*	B	C	U*	m
mm	mm	mm	mm	mm	mm	mm	kg
400	125	300	415	360	318	375	5
600	200	300	615	560	518	575	12.8

### Rectangular side connection



**RJFP 20**  
Rectangular  
side connection.



Size	H	A*	B	C	U*	m
mm	mm	mm	mm	mm	mm	kg
600	315	615	560	518	575	12.4

\* U x U  
min. cutout dimension in  
fixed ceiling

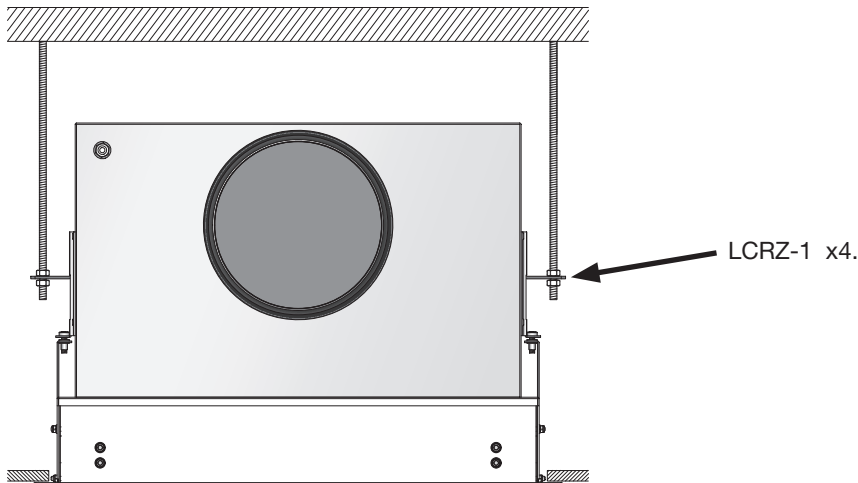
\* A x A  
Dimension applies for  
fixed ceilings, for other  
ceiling types see next  
page.

# LCR

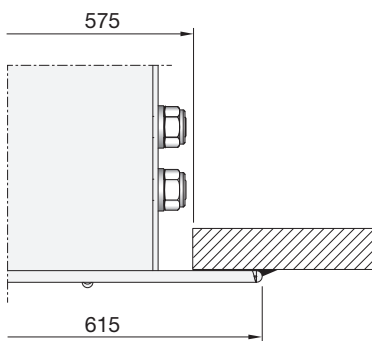
# Clean room diffuser

## Ceiling adjustment

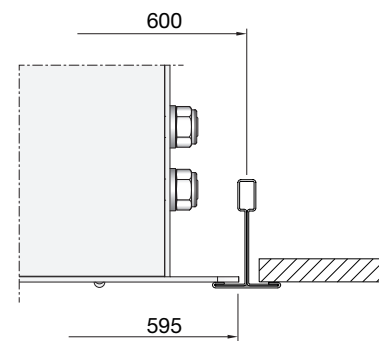
### Installation in fixed ceiling



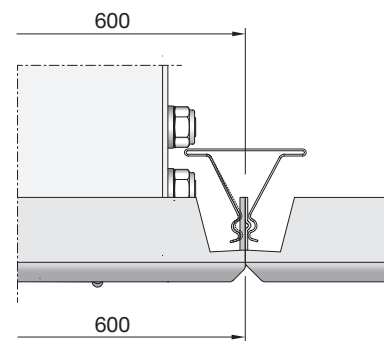
### Fixed ceiling



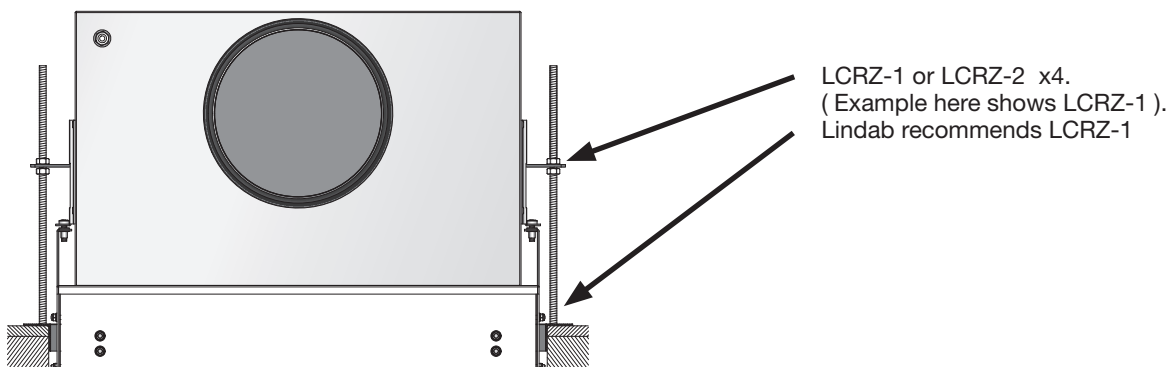
### 15/24 mm visible T-rail ceiling



### Clip-In ceiling



### Installation in walkable ceiling



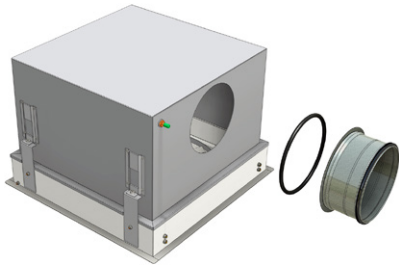
# LCR

# Clean room diffuser

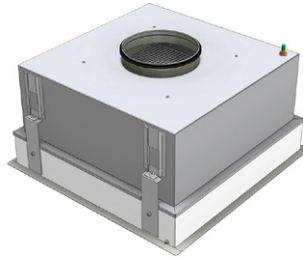
## Installation instruction

### LCR-1 models

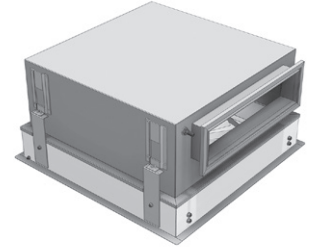
#### Circular side connection



#### Circular top connection

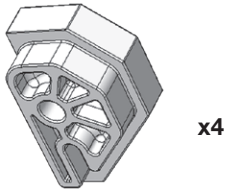


#### Rectangular side connection



LCR-1 Circular side connection comes with detached spigot.

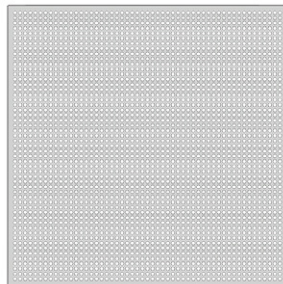
## Included accessories



## Faceplate options



Faceplate with rotation pattern ( High impulse )



Perforated faceplate ( Low impulse )

# LCR

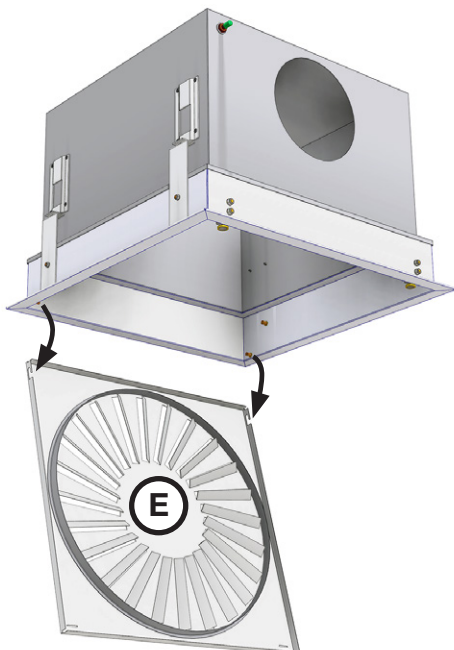
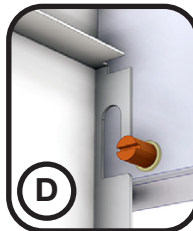
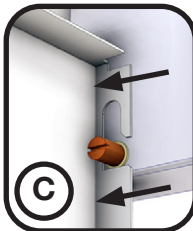
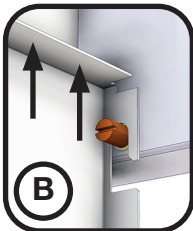
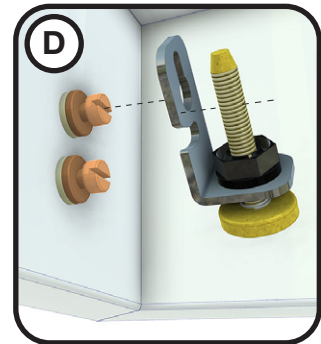
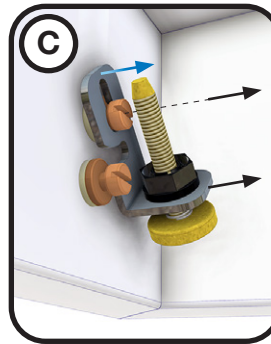
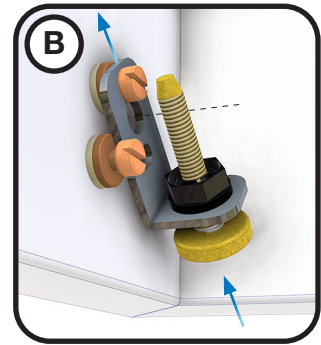
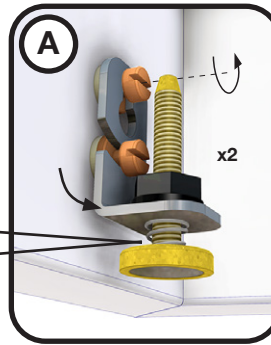
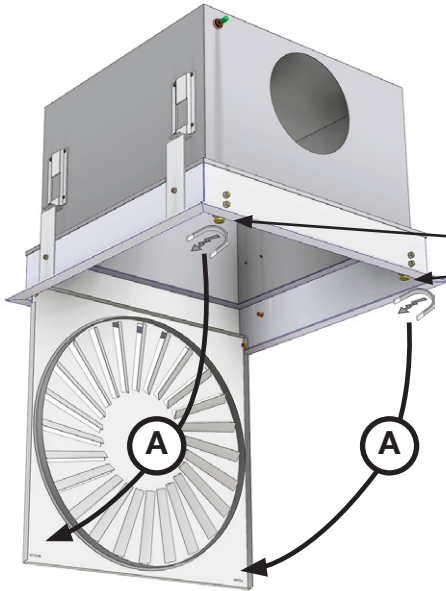
# Clean room diffuser

## Installation instruction

Strip box before installation in ceiling. Preparation for filter installation (accessory, ordered separately).

### 1. Demount hinged faceplate

### 2. Demount magnets

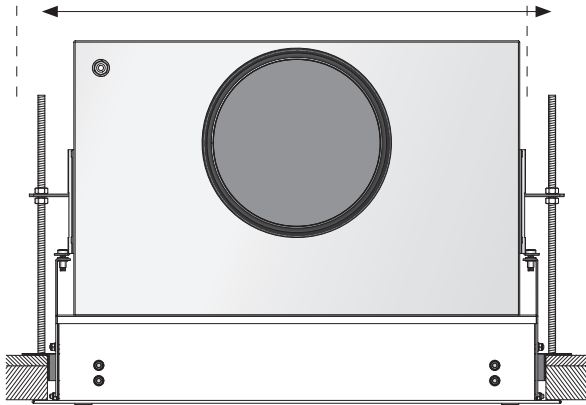


# LCR

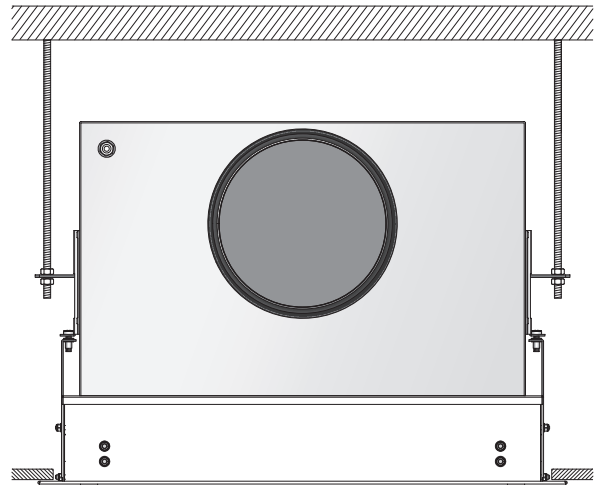
# Clean room diffuser

## Installation in ceiling

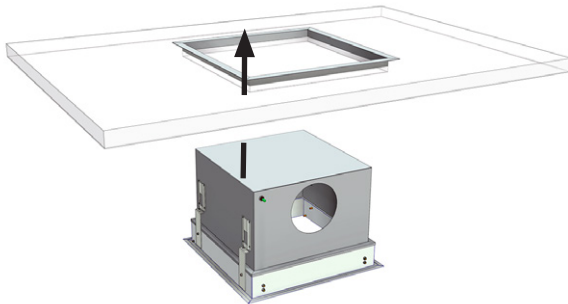
### Installation in walkable ceiling



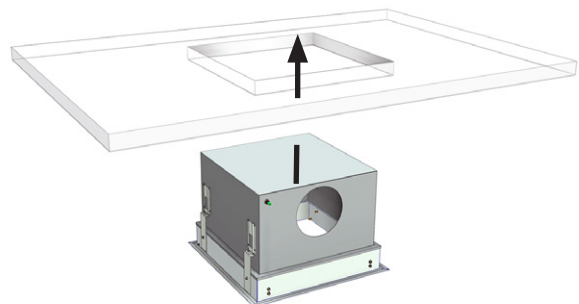
### Installation in fixed ceiling ( Also valid for T-rail / Clip-in ceiling ).



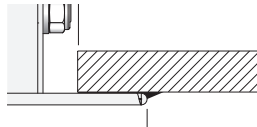
### Installation in walkable ceiling



### Other ceilings



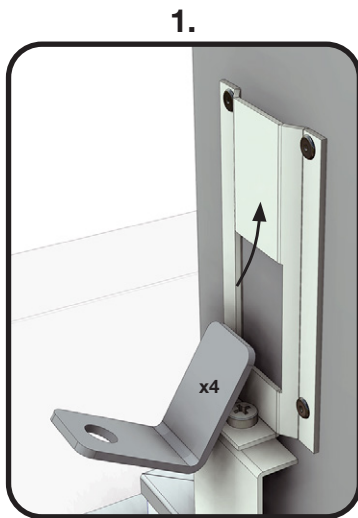
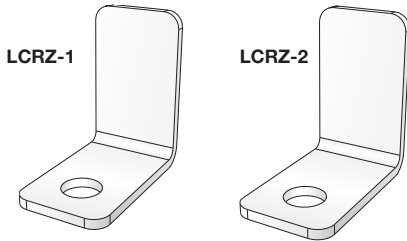
### Seal



# LCR

# Clean room diffuser

## Installation instruction



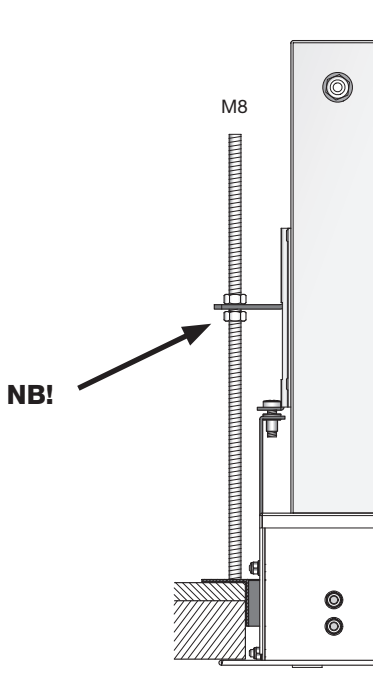
4x LCRZ-1 or LCRZ-2



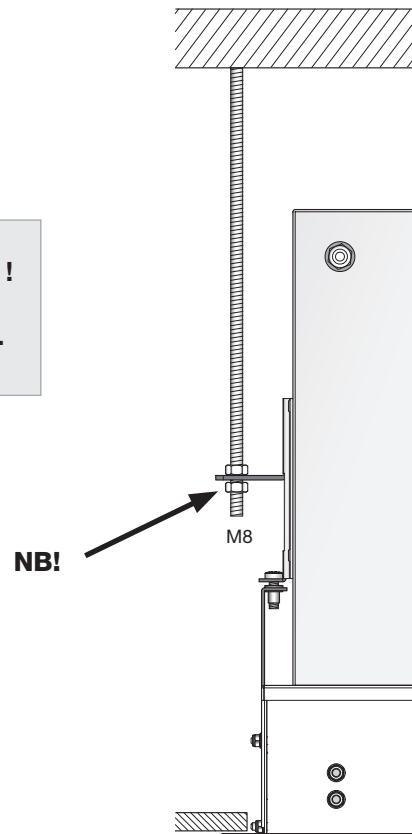
LCRZ-1



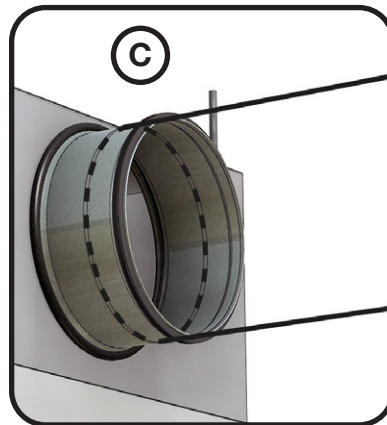
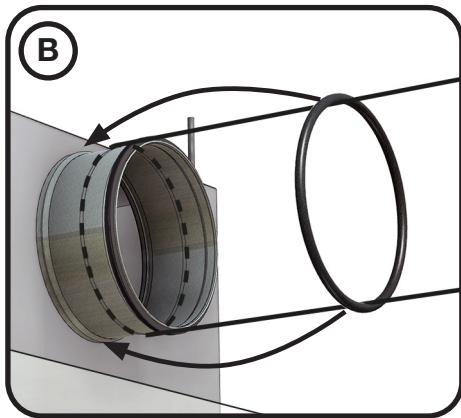
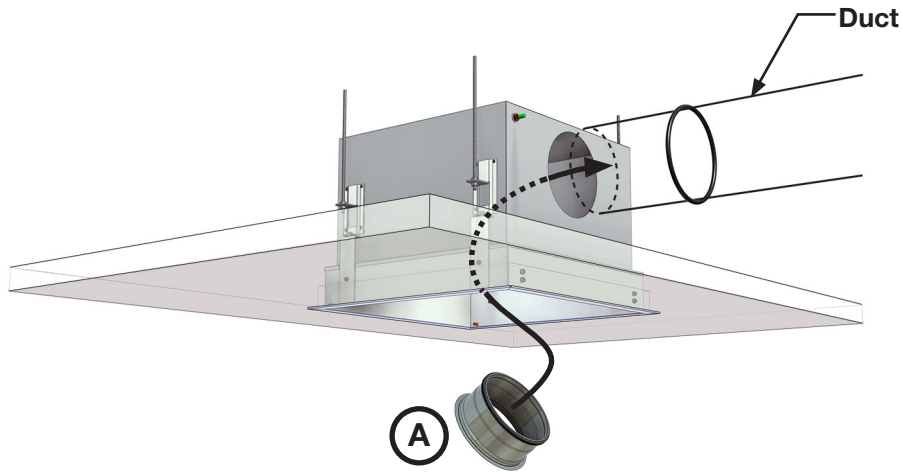
LCRZ-2



**NB! Tighten max. 20 kN !  
Use a torque wrench to  
tighten the nut properly.**



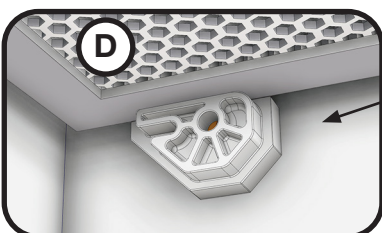
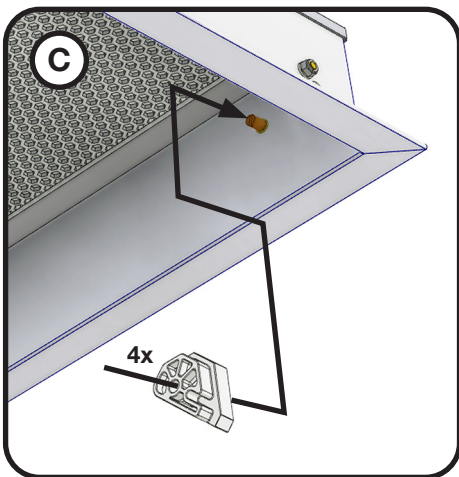
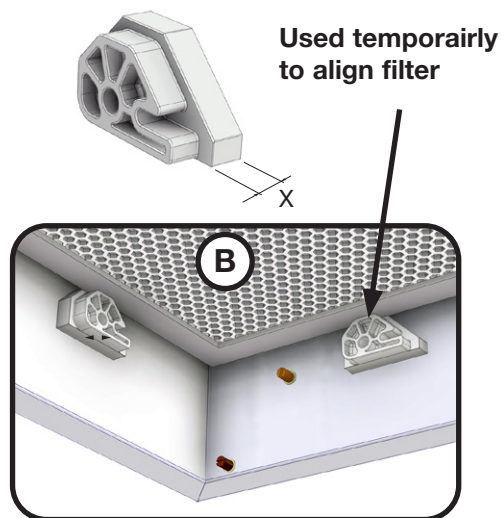
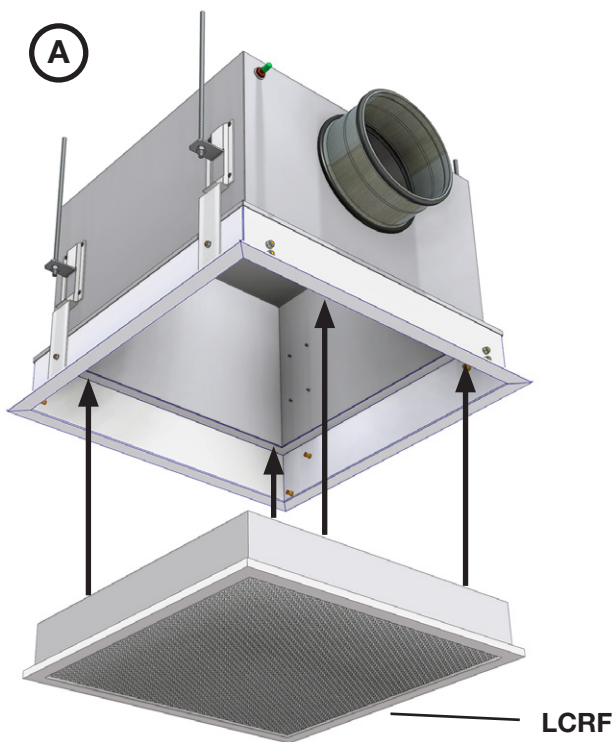
## Installation instruction (Side-circular connection only)



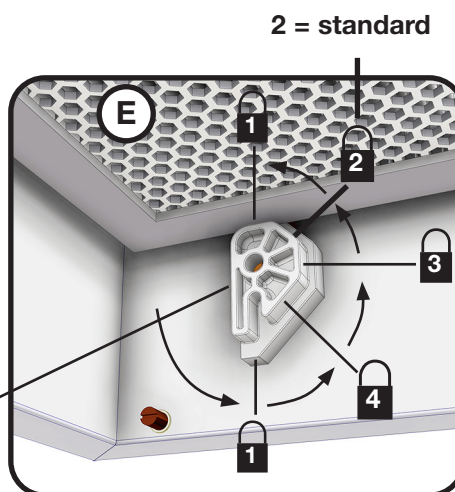
# LCR

# Clean room diffuser

## LCRF Filter installation



1 = neutral



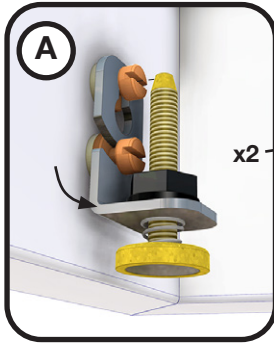
# LCR

# Clean room diffuser

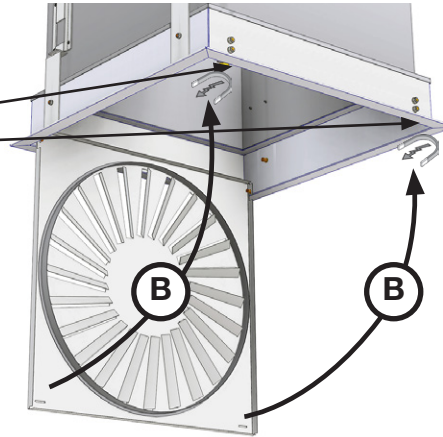
## Re-install magnets and hinged faceplate

A. Re-install magnets for faceplate

B. Re-install hinged faceplate



Reverse step 2 !



Reverse step -1 !

**Support  
Hjælp  
Hjälp  
Tuotetuki  
Unterstützung  
Supporto  
Support**

**UK** - Here you can find product updates/mounting instructions and support telephone number/mail.

**[www.lindab.com](http://www.lindab.com)**

Right to alterations reserved.

**DK** - Her kan du finde seneste produkt opdateringer/montagevejledninger samt support tlf. nr/mail.

**[www.lindab.dk](http://www.lindab.dk)**

Ret til ændringer forbeholdes.

**SE** - Här kan du alltid hitta senaste produktuppdateringarna/montageanvisningarna samt support tel. /e-mail.

**[www.lindab.se](http://www.lindab.se)**

Rätt till ändringar förbehålles.

**FI** - Täältä löydät uusimmat tuotetiedot ja asennusohjeet sekä tuotetuen yhteystiedot.

**[www.lindab.fi](http://www.lindab.fi)**

Oikeus muutoksiin pidätetään.

**DE** - Hier finden Sie aktuelle Produktinformationen/ Montageanleitungen und Telefonnummer/ E-Mail-Adressen der Ansprechpartner.

**[www.lindab.de](http://www.lindab.de)**

Änderungen vorbehalten.

**IT** - Qui potete trovare istruzioni di montaggio, informazioni sul prodotto ed un supporto tecnico qualificato  
Tel. 011 9952099 - e-mail: [lindab@lindab.it](mailto:lindab@lindab.it)

**[www.lindab.it](http://www.lindab.it)**

Soggetto a modifica senza obbligo di preavviso.

**FR** - Vous trouverez les fiches produits ou de montage actualisées ainsi que les coordonnées du support téléphonique à l'adresse suivante :

**[www.lindab.fr](http://www.lindab.fr)**

Toutes modifications réservées.

**Do you have trouble finding your local contacts  
please go to:**

**[www.lindab.com](http://www.lindab.com)**

**LCR - 20210312**

