

Lindab **OLC**

Overflow unit - Installation instruction
Overtryksarmatur - Installations vejledning
Överluftsdon - Montageinstruktion
Siirtoilmalaite - Asennusohje
Valvola di controllo della pressione - Istruzioni di montaggio
Bouche de transfert - Instructions de montage
Légátvezető - Szerelési útmutató



OLC

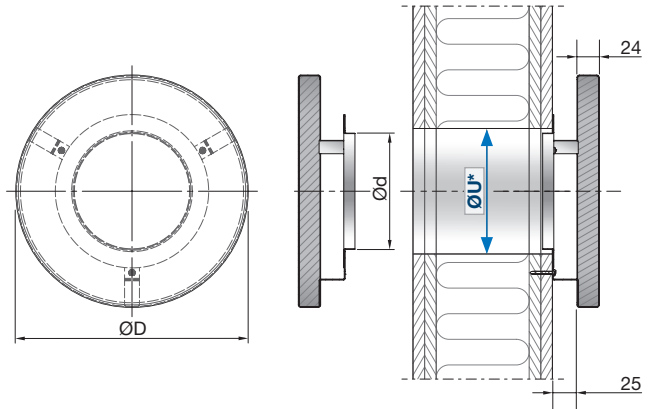
Overview
 Oversigt
 Översikt
 Yleiskatsaus
 Panorâmica
 Aperçu
 Áttekintés



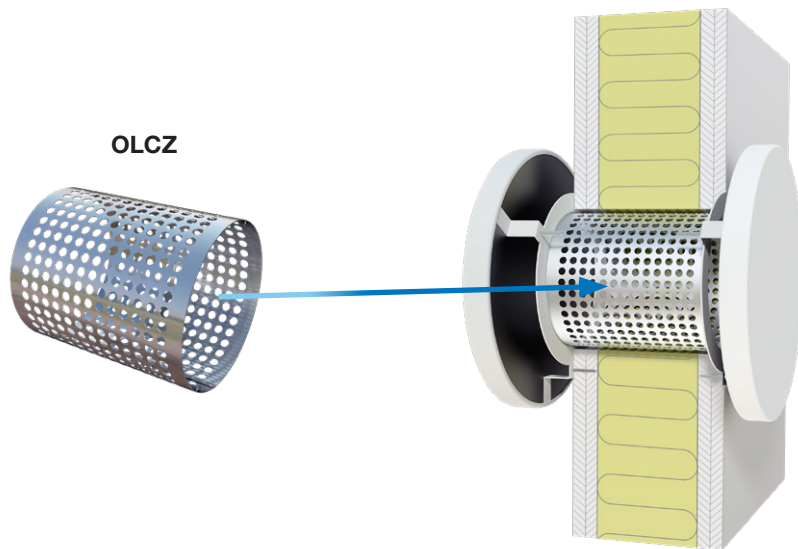
Dimensions
 Dimensioner
 Dimensioner
 Mitat
 Dimensioni
 Dimensões
 Áttekintés

$$\text{ØU}^* = \text{Ød} + 10 \text{ mm}$$

Ød	ØD [mm]	ØU*
100	200	108-110
125	250	133-135
160	300	168-170

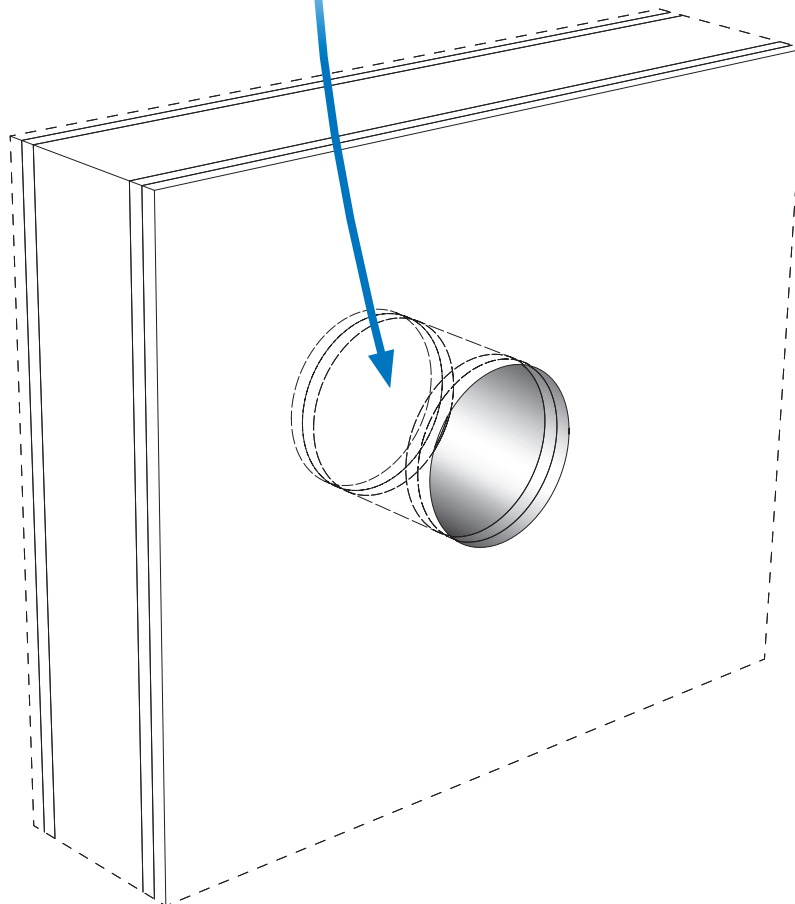
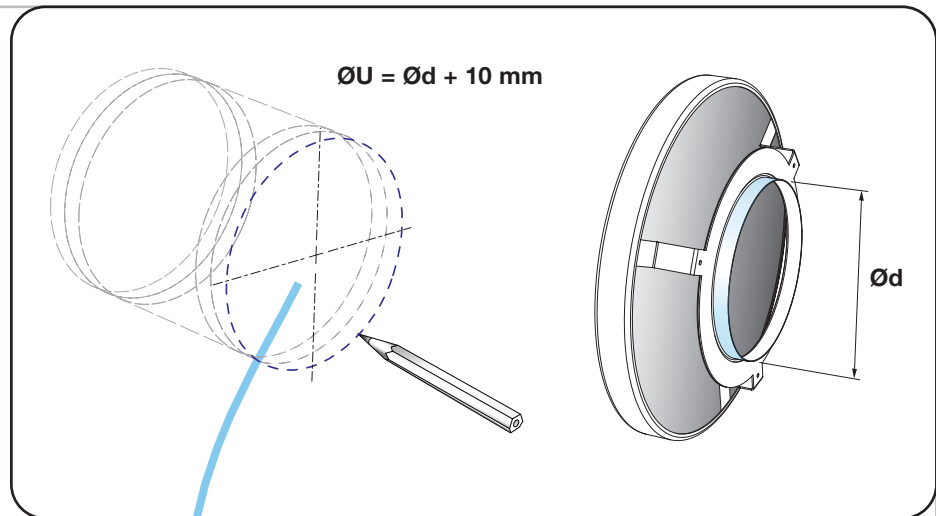


Accessories
 Tilbehør
 Tilbehør
 Lisävarusteet
 Accessori
 Accessories
 Kiegészítők

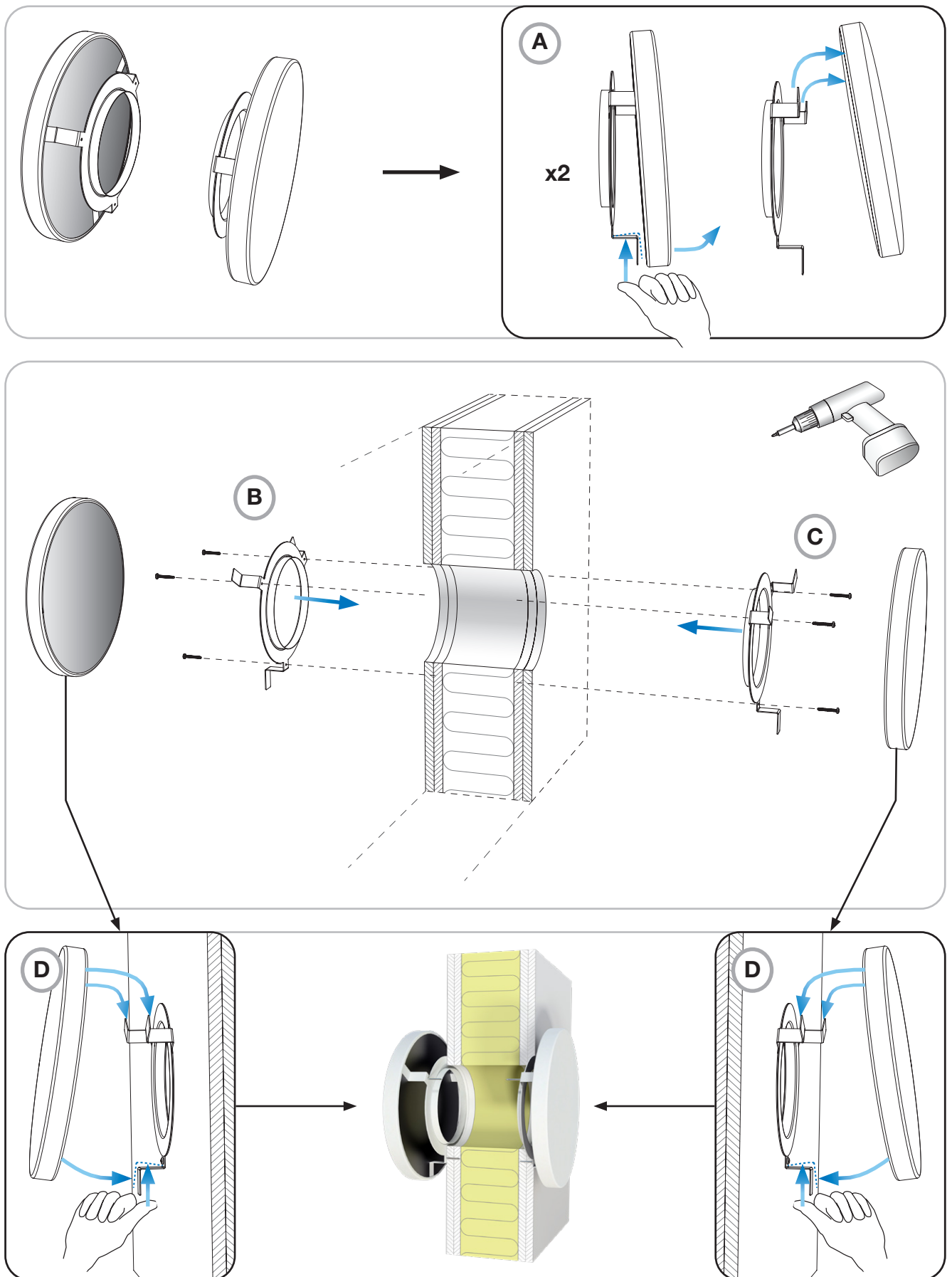


OLC

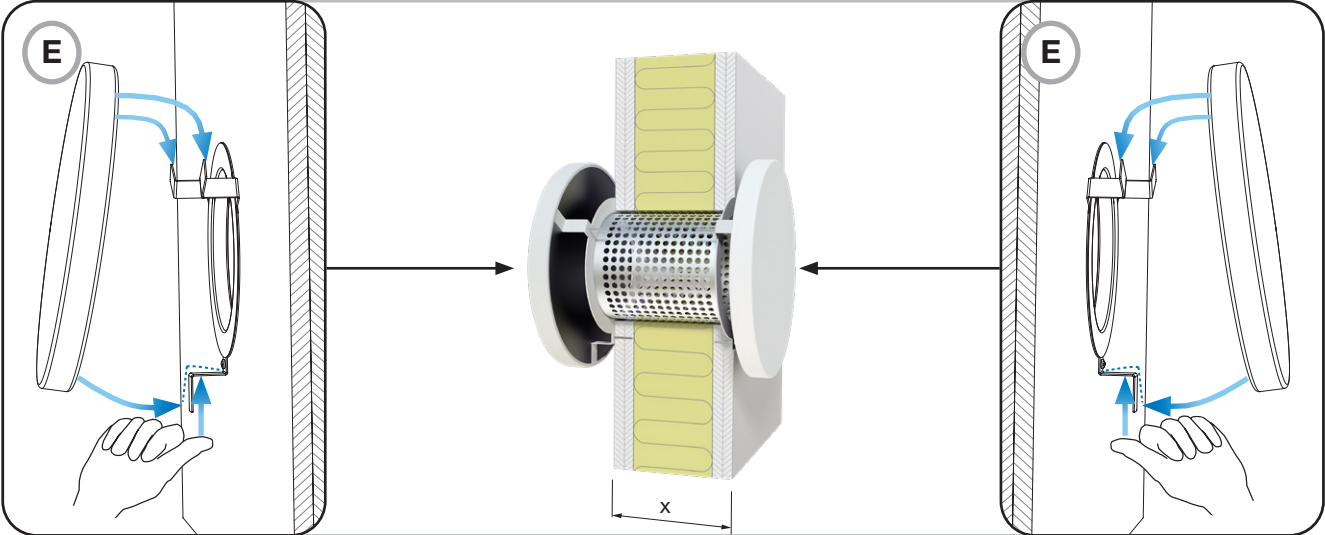
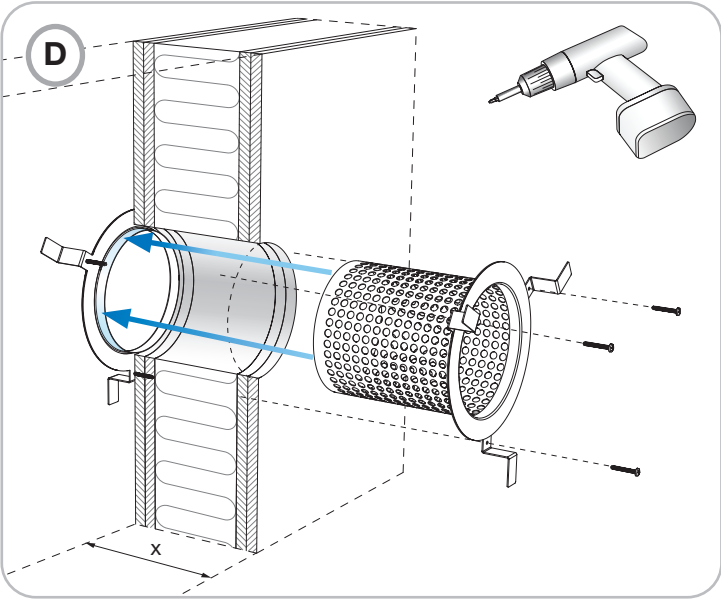
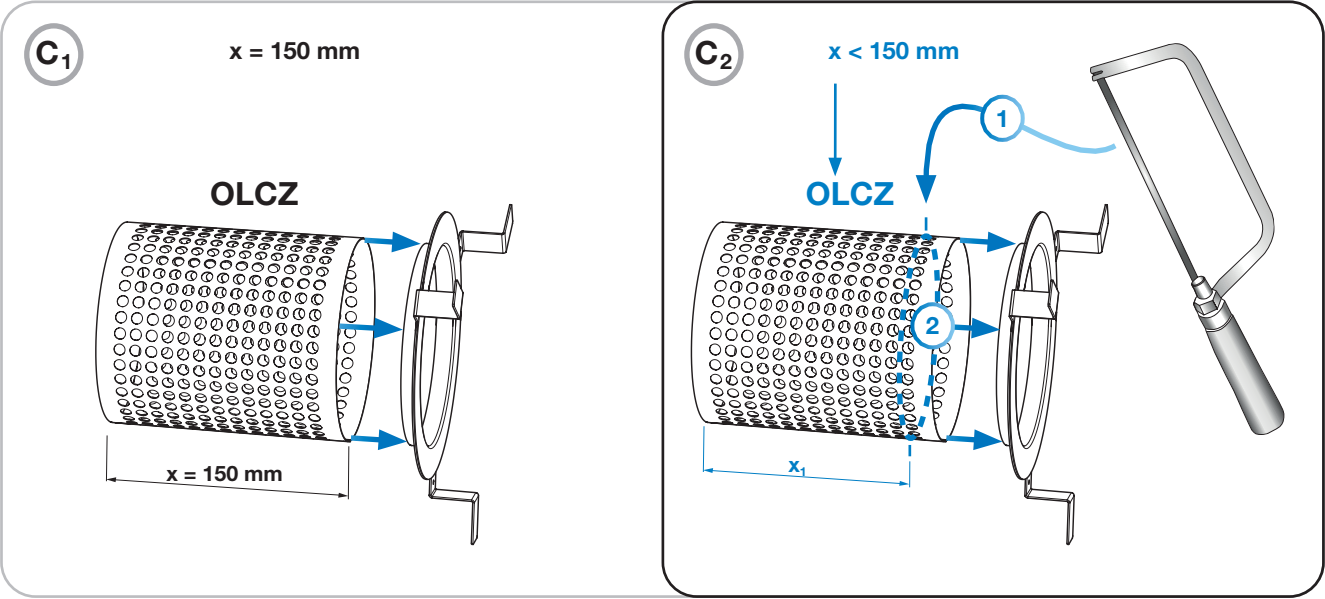
Cutout dimension
Udskæringsmål
Utskæringsmått
Asennusaukko
Dimensione del foro
Dimensions d'ouverture
Kivágási méretek



OLC



OLC - OLCZ





Most of us spend the majority of our time indoors. Indoor climate is crucial to how we feel, how productive we are and if we stay healthy.

We at Lindab have therefore made it our most important objective to contribute to an indoor climate that improves people's lives. We do this by developing energy-efficient ventilation solutions and durable building products. We also aim to contribute to a better climate for our planet by working in a way that is sustainable for both people and the environment.

[Lindab](#) | For a better climate